

Other Quality Products From Argonics

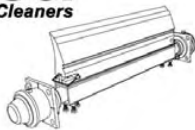
Largest Selection of
Conveyor Belt Cleaner
Replacement Blades

RAPTOR
Replacement Blades

ACCUFLO
Replacement Blades

The Worlds Best Conveyor
Belt Cleaning Systems

Eraser
Conveyor Cleaners



The Most Complete Line
of Conveyor Support Systems

LOAD ZONE
Conveyor Support Systems

Impact - Slide - Roll & Slide



ARGONICS
X TREME
Polyurethane Liner Solutions

Also Available From:

ARGONICS
ENGINEERED POLYURETHANE

Classifier Shoes
Screen Deck Accessories
Belt Skirting
Snap-Loc Dust Seal
Modular Wear Liners
Wear Resistant Sheets
Concrete Mixer Lining Systems

Argonics, Inc. • 520 9th St. • Gwinn, MI 49841 USA
Phone: 906.226.9747 1.800.991.2746 Fax: 906.226.9779
www.argonics.com

Gator Guard™ is a trademark of Argonics, Inc. Gwinn, MI. USA and is protected by the following patent: 7,284,658.

Gator Guard™ Installation Guide

For easier installation of your Gator Guard, please read these instructions thoroughly before you begin.



Safety First!

Before installing this kit, be sure all power to the conveyor system has been disconnected and all controls are locked out.

Bolted Roller Brackets

Step 1. Loosen the return roller bracket bolts $\frac{3}{8}$ ". Using the slots in the mounting bracket, slide and center the bracket between the conveyor frame and the return roller bracket and retighten the bolts (Figure #1). (Repeat for the other side) You may need to replace the roller bracket bolts with longer ones if you cannot loosen them the required $\frac{3}{8}$ ".

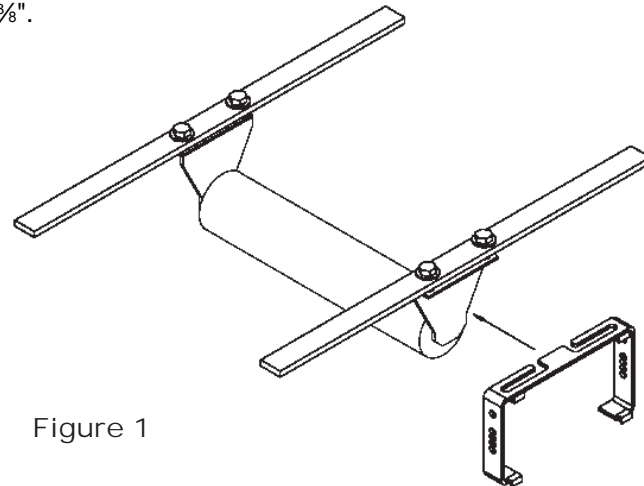


Figure 1

Step 2. Fold the Unistrut and the Gator Guard webbing in half lengthwise (be sure that the mounting rail is on the inside). Lift the web assembly into place and rest the rail on the bottom lip of the mounting bracket (Figure #2).

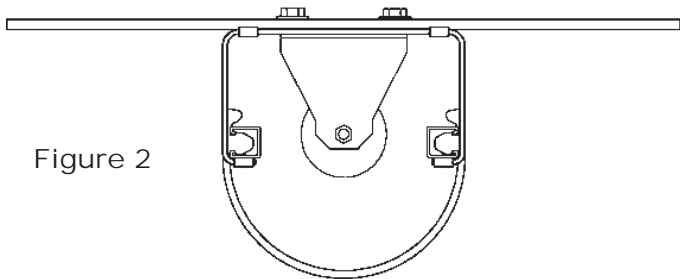


Figure 2

Step 3. Lift web assembly one corner at a time to the proper hole on the bracket for your idler diameter and drop bracket configuration (Figure #3). For other idler/bracket configurations, contact Argonics.

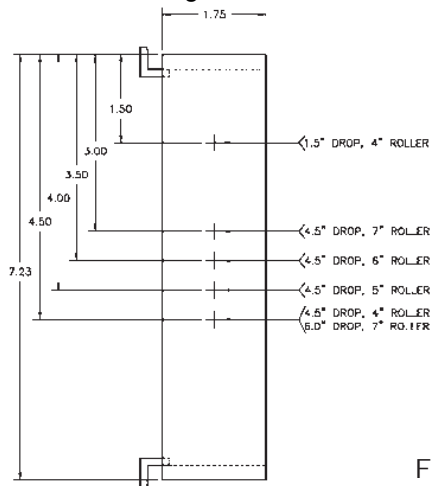


Figure 3

Step 4. Insert the bolts through the washers and the mounting bracket and thread into the Unistrut nut and tighten (Figure #4 - please note the location of the spring on the Unistrut nut) (Figure #5 shows a properly installed guard).

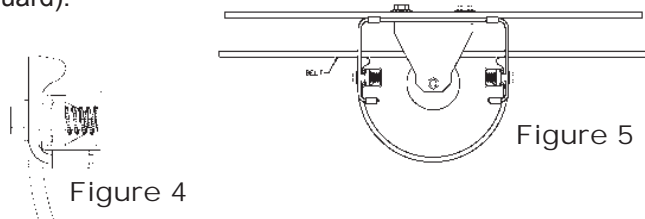


Figure 4

Figure 5

NOTE: For belts with bad carryback, the leading edge of the Gator Guard should make contact with the belt. Mount the trailing edge of the web one hole lower than leading edge.

Step 5. Attach the side guards by slipping the guard over the top tabs of the mounting bracket, then pull the guard down and onto the lower tabs (Figure #6). Repeat on other side.

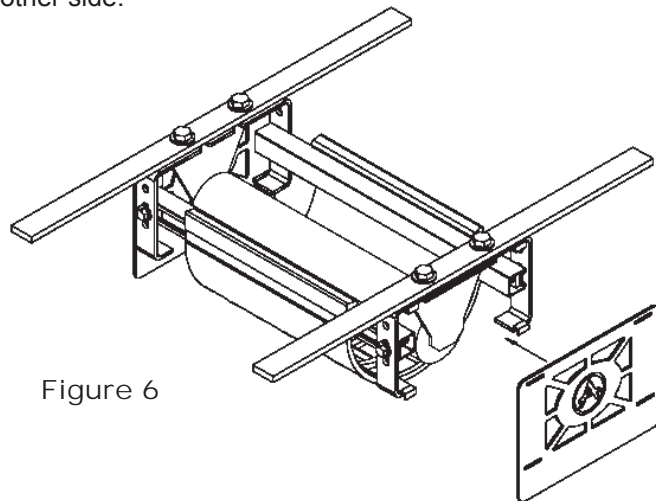


Figure 6