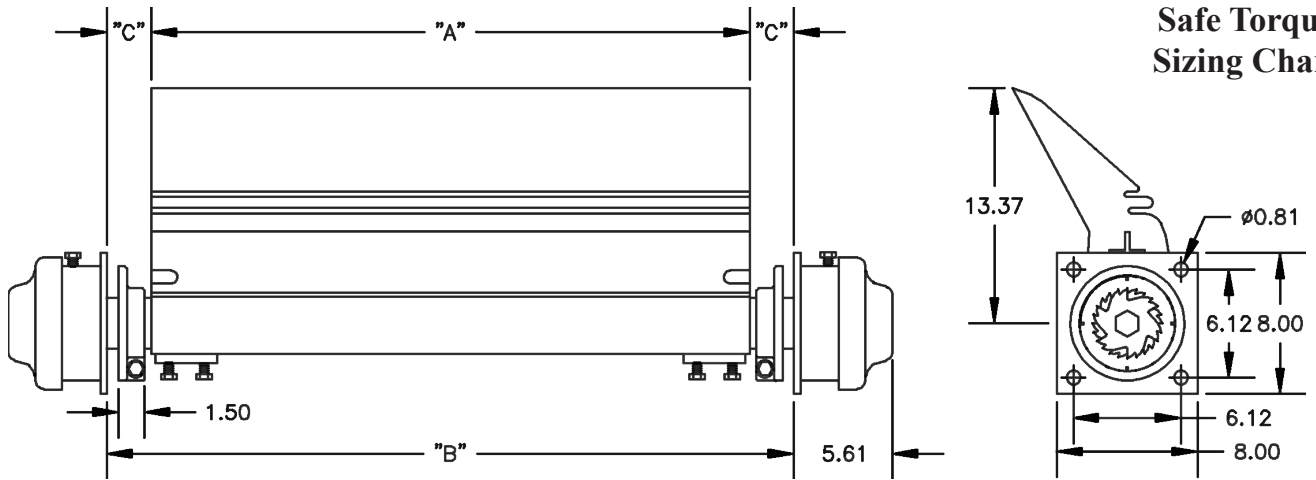


PRICE GUIDE

LIB-CP-SYS-01-L Rev. 15



Part Number	A	Min. B	Max. B	Min. C	Max. C
CP-SEA22M-G83	22.00	32.00	52.00	6.50	15.50
CP-SEA24M-G83	24.00	30.00	54.00	4.50	"
CP-SEA26M-G83	26.00	28.00	56.00	2.50	"
CP-SEA28M-G83	28.00	28.50	58.00	0.50	"
CP-SEA30M-G83	30.00	30.50	60.00	0.25	"
CP-SEA32M-G83	32.00	32.50	62.00	0.25	"
CP-SEA34D-G83	34.00	44.50	64.00	7.25	"
CP-SEA36D-G83	36.00	44.50	66.00	6.25	"
CP-SEA38D-G83	38.00	44.50	68.00	5.25	"
CP-SEA40D-G83	40.00	44.50	70.00	4.25	"
CP-SEA42D-G83	42.00	44.50	72.00	3.25	"
CP-SEA44D-G83	44.00	44.50	74.00	2.25	"
CP-SEA46D-G83	46.00	46.50	76.00	1.25	"
CP-SEA48D-G83	48.00	48.50	78.00	0.25	"
CP-SEA50D-G83	50.00	50.50	80.00	"	"
CP-SEA52D-G83	52.00	52.50	82.00	"	"
CP-SEA54D-G83	54.00	54.50	84.00	"	"
CP-SEA56D-G83	56.00	56.50	86.00	"	"
CP-SEA58D-G83	58.00	58.50	88.00	"	"
CP-SEA60D-G83	60.00	60.50	90.00	"	"
CP-SEA62D-G83	62.00	62.50	92.00	"	"
CP-SEA64D-G83	64.00	64.50	94.00	"	"
CP-SEA66D-G83	66.00	66.50	96.00	"	"
CP-SEA68D-G83	68.00	68.50	98.00	"	"
CP-SEA70D-G83	70.00	70.50	100.00	"	"
CP-SEA72D-G83	72.00	72.50	102.00	"	"
CP-SEA74D-G83	74.00	74.50	104.00	"	"
CP-SEA76D-G83	76.00	76.50	106.00	"	"
CP-SEA78D-G83	78.00	78.50	108.00	"	"
CP-SEA80D-G83	80.00	80.50	110.00	"	"
CP-SEA82D-G83	82.00	82.50	112.00	"	"
CP-SEA84D-G83	84.00	84.50	114.00	"	"
CP-SEA86D-G83	86.00	86.50	116.00	"	"
CP-SEA88D-G83	88.00	88.50	118.00	"	"
CP-SEA90D-G83	90.00	90.50	120.00	"	"
CP-SEA92D-G83	92.00	92.50	122.00	"	"
CP-SEA94D-G83	94.00	94.50	124.00	"	"
CP-SEA96D-G83	96.00	96.50	126.00	"	"
CP-SEA98D-G83	98.00	98.50	128.00	"	"
CP-SEA100D-G83	100.00	100.50	130.00	"	"

Continued next column

Part Number	A	Min. B	Max. B	Min. C	Max. C
CP-SEA102D-G83	102.00	102.50	132.00	"	"
CP-SEA104D-G83	104.00	104.00	134.00	"	"
CP-SEA106D-G83	106.00	106.50	136.00	"	"
CP-SEA108D-G83	108.00	108.50	138.00	"	"
CP-SEA110D-G83	110.00	110.50	140.00	"	"
CP-SEA112D-G83	112.00	112.50	142.00	"	"
CP-SEA114D-G83	114.00	114.50	144.00	"	"
CP-SEA116D-G83	116.00	116.50	146.00	"	"
CP-SEA118D-G83	118.00	118.50	148.00	"	"
CP-SEA120D-G83	120.00	120.50	150.00	"	"

Note: To get minimum B or C, Shaft Collars must be removed.