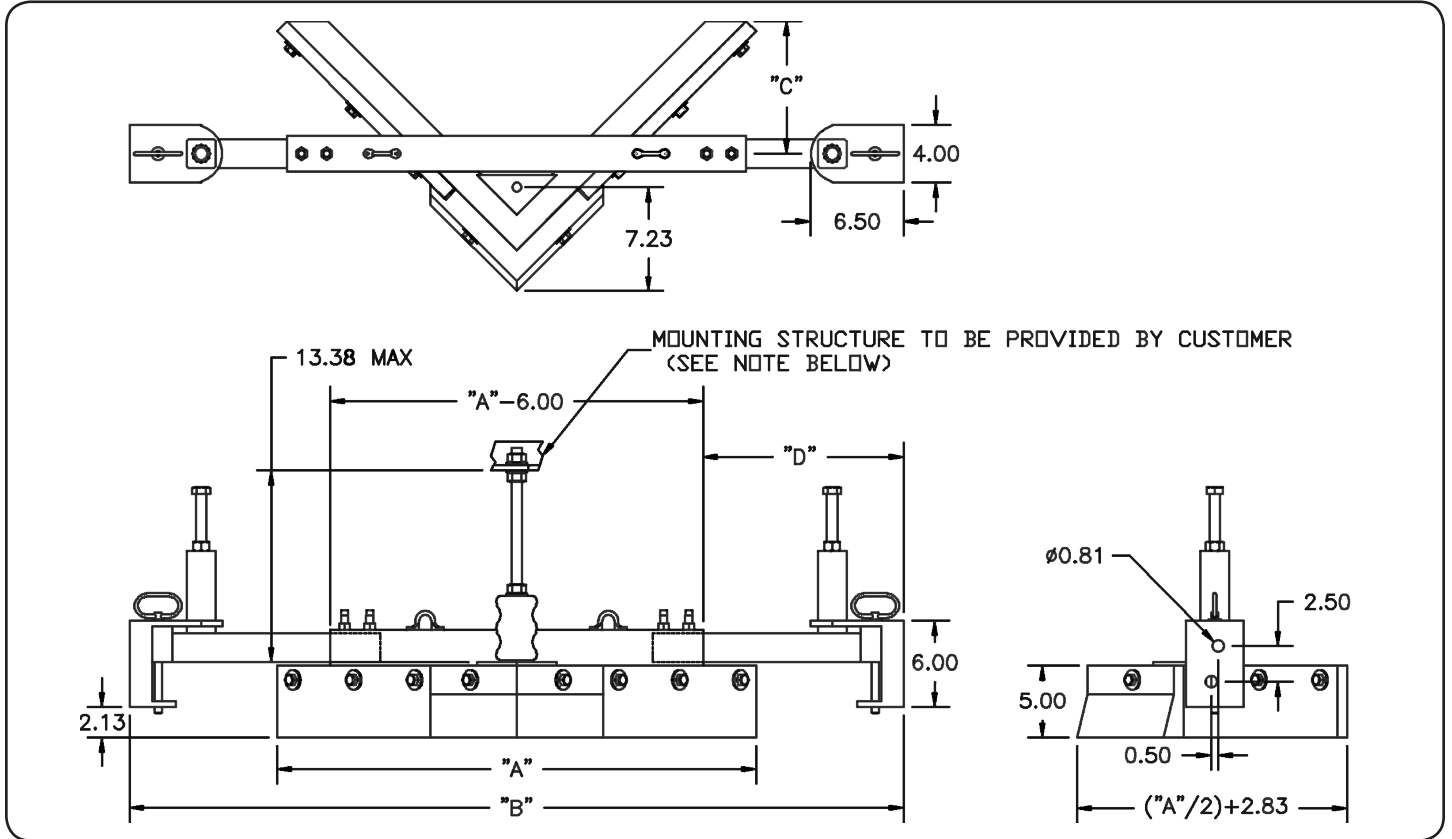




Sizing Chart Conveyor Belt Cleaning System



Part Number	A	Min. B	Max. B	Min. C	Max. C
CP-VPA16M-G83	16.00	23.50	26.00	6.50	8.00
CP-VPA18M-G83	18.00	24.00	28.00	6.00	8.00
CP-VPA20M-G83	20.00	26.00	30.00	"	8.00
CP-VPA22M-G83	22.00	28.00	36.00	"	10.00
CP-VPA24M-G83	24.00	30.00	38.00	"	10.00
CP-VPA26M-G83	26.00	32.00	40.00	"	10.00
CP-VPA28M-G83	28.00	34.00	42.00	"	10.00
CP-VPA30M-G83	30.00	36.00	52.00	"	14.00
CP-VPA32M-G83	32.00	38.00	54.00	"	"
CP-VPA34M-G83	34.00	40.00	56.00	"	"
CP-VPA36M-G83	36.00	42.00	58.00	"	"
CP-VPA38M-G83	38.00	44.00	60.00	"	"
CP-VPA40M-G83	40.00	46.00	62.00	"	"
CP-VPA42M-G83	42.00	48.00	64.00	"	"
CP-VPA44M-G83	44.00	50.00	66.00	"	"
CP-VPA46M-G83	46.00	52.00	68.00	"	"
CP-VPA48M-G83	48.00	54.00	70.00	"	"
CP-VPA50M-G83	50.00	56.00	72.00	"	"
CP-VPA52M-G83	52.00	58.00	74.00	"	"
CP-VPA54M-G83	54.00	60.00	76.00	"	"
CP-VPA56M-G83	56.00	62.00	78.00	"	"
CP-VPA58M-G83	58.00	64.00	80.00	"	"

Part Number	A	Min. B	Max. B	Min. C	Max. C
CP-VPA60M-G83	60.00	66.00	82.00	"	"
CP-VPA62M-G83	62.00	68.00	84.00	"	"
CP-VPA64M-G83	64.00	70.00	86.00	"	"
CP-VPA66M-G83	66.00	72.00	88.00	"	"
CP-VPA68M-G83	68.00	74.00	90.00	"	"
CP-VPA70M-G83	70.00	76.00	92.00	"	"
CP-VPA72M-G83	72.00	78.00	94.00	"	"
CP-VPA74M-G83	74.00	80.00	96.00	"	"
CP-VPA76M-G83	76.00	82.00	98.00	"	"
CP-VPA78M-G83	78.00	84.00	100.00	"	"
CP-VPA80M-G83	80.00	86.00	102.00	"	"
CP-VPA82M-G83	82.00	88.00	104.00	"	"
CP-VPA84M-G83	84.00	90.00	106.00	"	"
CP-VPA86M-G83	86.00	92.00	108.00	"	"
CP-VPA88M-G83	88.00	94.00	110.00	"	"
CP-VPA90M-G83	90.00	96.00	112.00	"	"
CP-VPA92M-G83	92.00	98.00	114.00	"	"
CP-VPA94M-G83	94.00	100.00	116.00	"	"
CP-VPA96M-G83	96.00	102.00	118.00	"	"

Continued next column