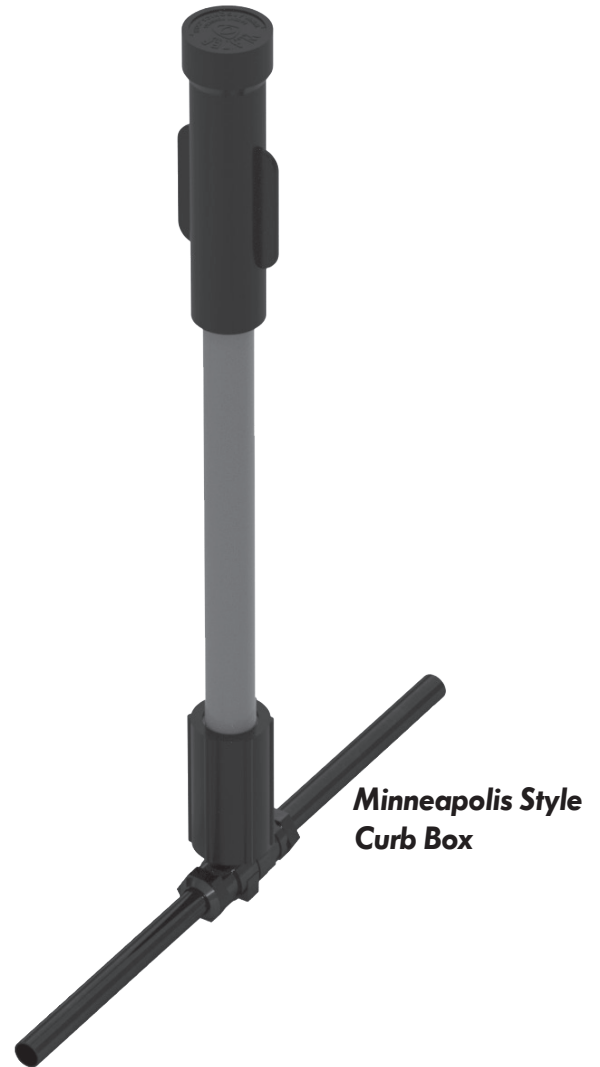
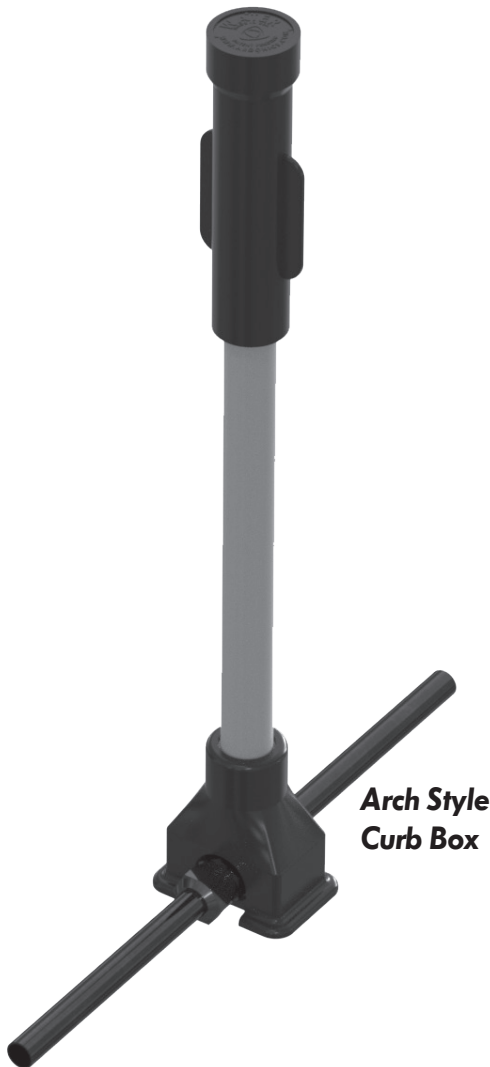


## INSTALLATION GUIDE

# SPEEDY SLEEVE™

Poly Curb Box System



**ARGONICS**  
**PUBLICWORKS**  
P R O D U C T S

### ⚠ WARNING

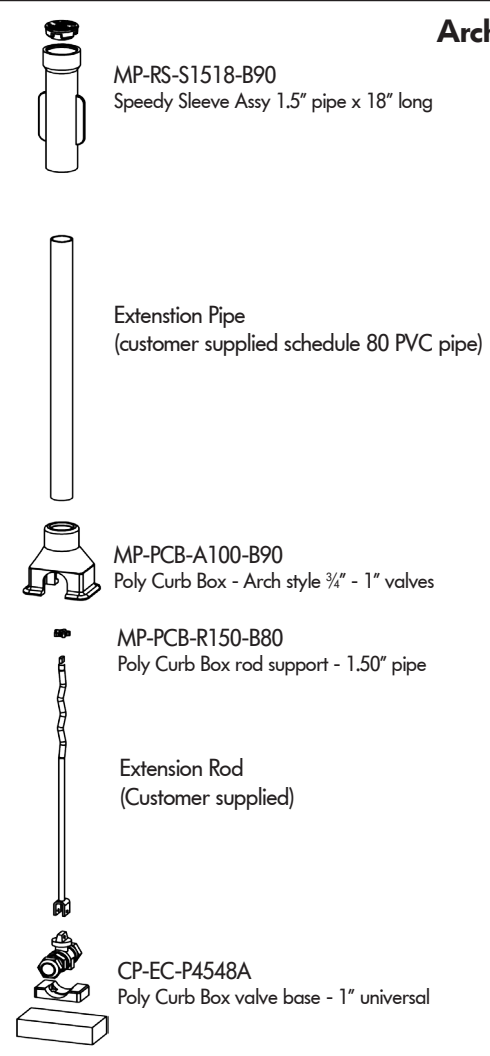
Always obey all applicable safety rules.

### Installation Items Required

- PVC schedule 80 pipe (recommended) of sufficient length to reach from valve to 12"-24" above grade level
- Saw or pipe cutter
- PVC cleaner and cement
- Straight edge
- Tape measure

### ASSEMBLY BREAKDOWN

Arch Style



MP-RS-S1518-B90  
Speedy Sleeve Assy 1.5" pipe x 18" long

Extension Pipe  
(customer supplied schedule 80 PVC pipe)

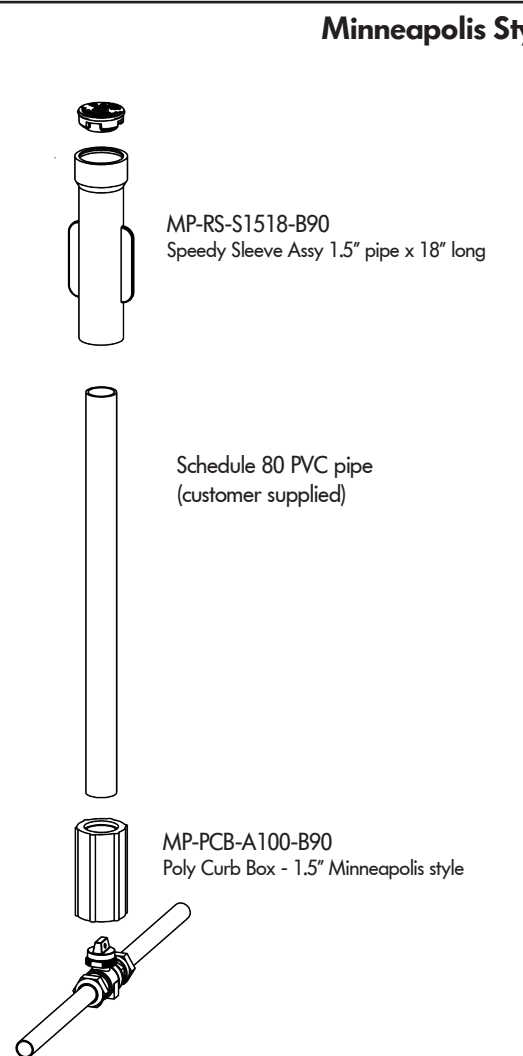
MP-PCB-A100-B90  
Poly Curb Box - Arch style ¾" - 1" valves

MP-PCB-R150-B80  
Poly Curb Box rod support - 1.50" pipe

Extension Rod  
(Customer supplied)

CP-EC-P4548A  
Poly Curb Box valve base - 1" universal

Minneapolis Style



MP-RS-S1518-B90  
Speedy Sleeve Assy 1.5" pipe x 18" long

Schedule 80 PVC pipe  
(customer supplied)

MP-PCB-A100-B90  
Poly Curb Box - 1.5" Minneapolis style

No.	Part Number	Qty.	Description
1	MP-RS-S1518-B90	1	Speedy Sleeve Assy 1.5" pipe x 18" long
2	MP-PCB-A100-B90	1	Poly Curb Box - Arch style ¾" - 1" valves
3	MP-PCB-R150-B80	1	Poly Curb Box rod support - 1.50" pipe
4	CP-EC-P4548A	1	Poly Curb Box valve base - 1" universal

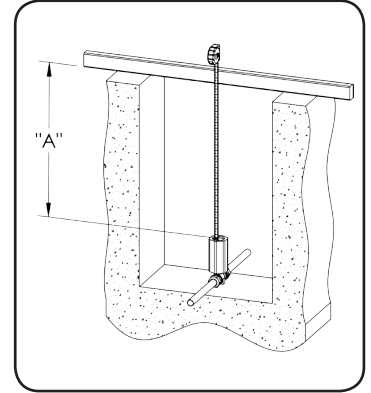
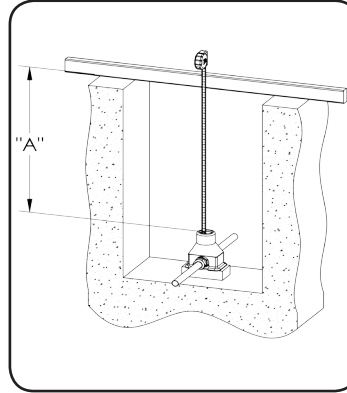
No.	Part Number	Qty.	Description
1	MP-RS-S1518-B90	1	Speedy Sleeve Assy 1.5" pipe x 18" long
2	MP-PCB-M150-B90	1	Poly Curb Box - 1.5" Minneapolis style

# INSTALLATION

## Step One: Determine Pipe Length

We recommend a pipe length of 18" - 24" of PVC pipe above projected final grade.

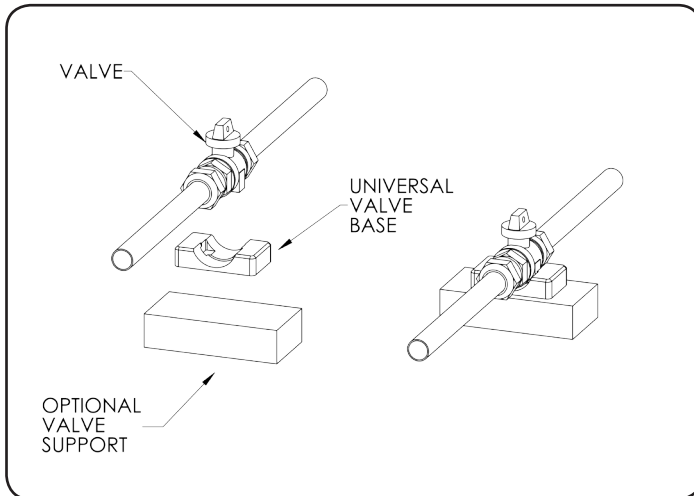
**Note:** For Arch style instructions, continue below. For Minneapolis style instructions, please go to page 6.



## ARCH STYLE:

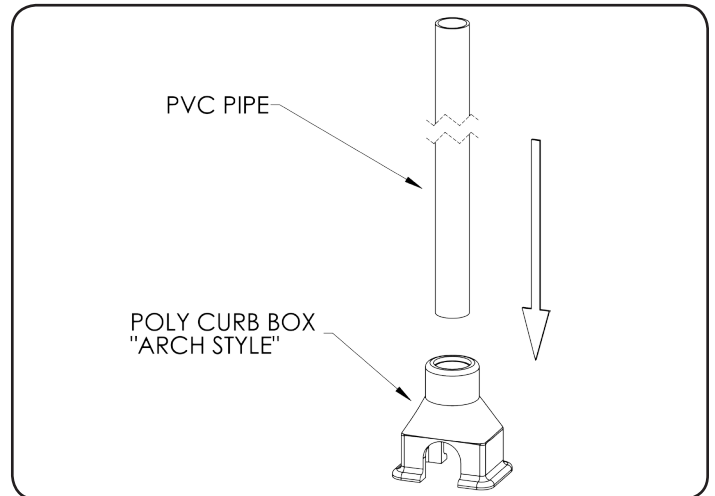
### Step 2: Install the Poly Curb Box base

Set valve into the universal base. Use a valve support device under the base, if necessary.



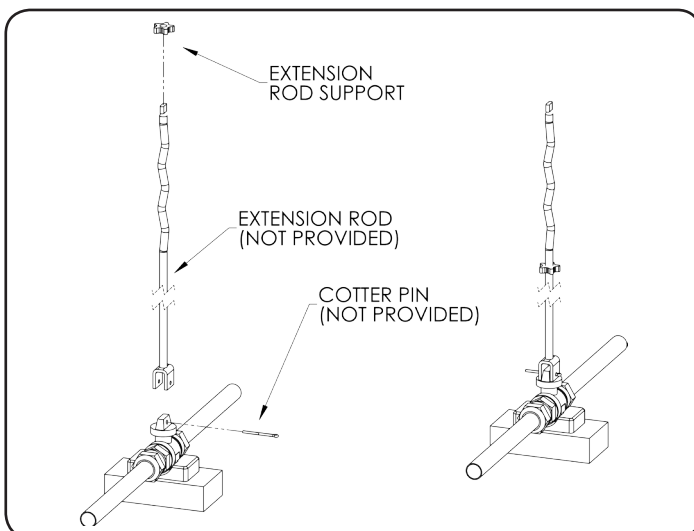
### Step 3: Gluing

Glue schedule 80 PVC pipe to poly Curb Box.



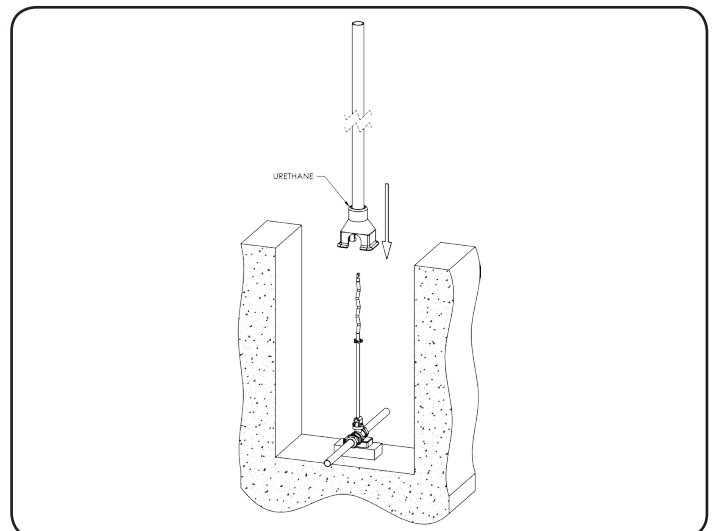
### Step 4: Install extension rod and support star

Place the rod centering support star on the extension rod. Install the extension rod on valve.



### Step 5: Install Poly Curb Box

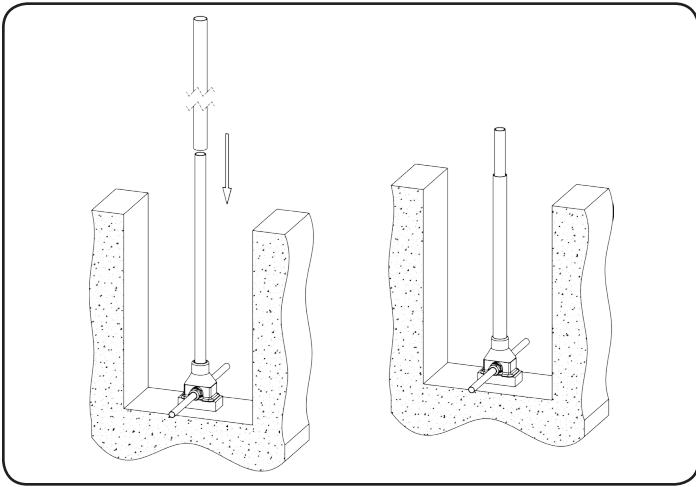
Place the Arch style Curb Box and the glued in PVC pipe over the valve and engage with the Poly Curb Box valve base.



# INSTALLATION

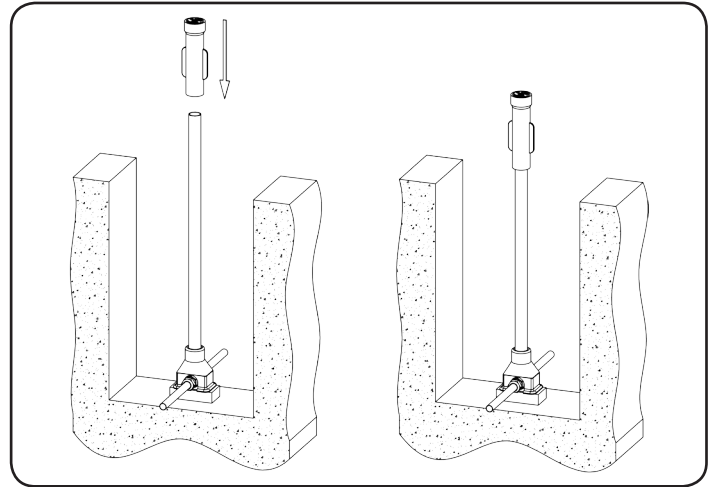
## Step 6: Plumb Extension Pipe (recommended)

If using a thin-wall PVC, we recommend placing a thin-wall steel pipe on the outside of the diameter of the PVC pipe. This will keep the pipe vertically level during backfilling. Make sure the steel pipe is at least 6" shorter than the PVC to allow for the Speedy Sleeve to be temporarily installed in step 7.



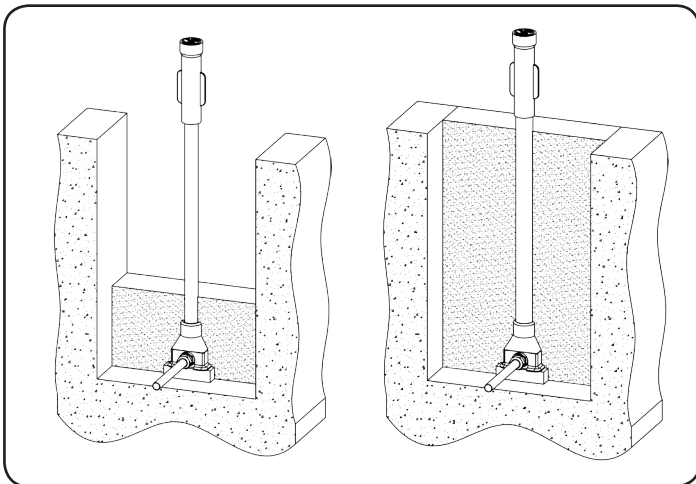
## Step 7: Temporarily install the Speedy Sleeve

Place the Speedy Sleeve over the top of the PVC pipe. This will keep the pipe sealed during backfilling.



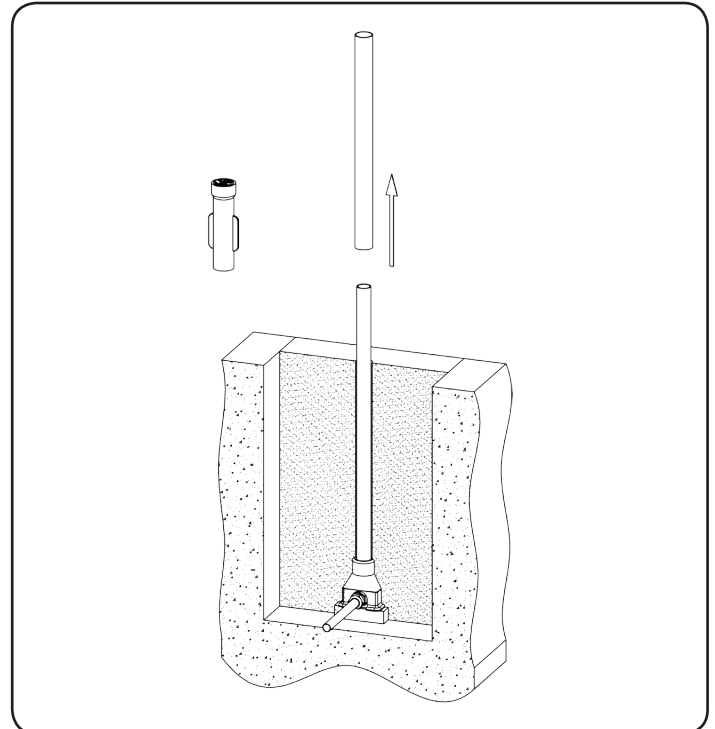
## Step 8: Backfill Around Valve Box

Backfill 18" - 24" by hand. Continue backfilling from directly above to keep the pipe plumbed.



## Step 9: Remove Speedy Sleeve and steel pipe

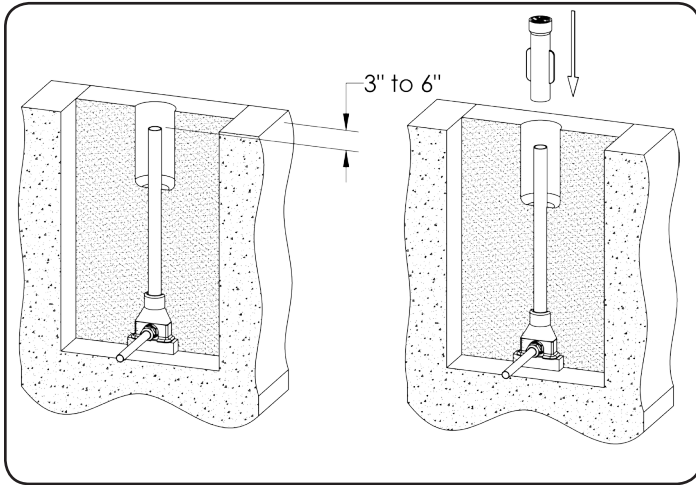
Remove the Speedy Sleeve, and then slowly remove the steel pipe.



# INSTALLATION

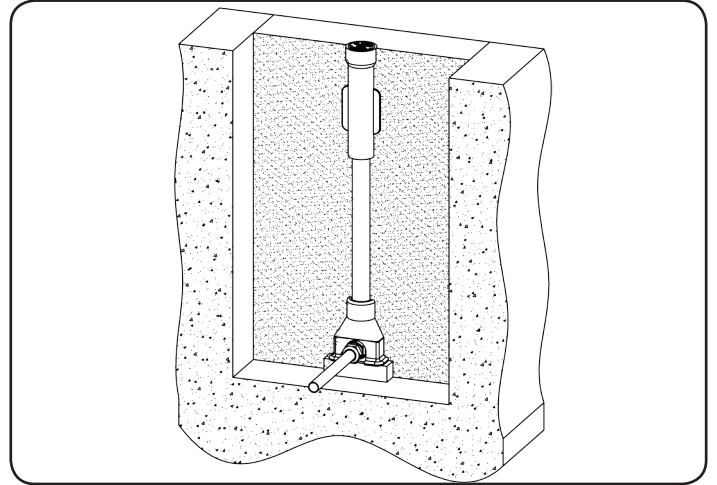
## Step 10: Finish Installation

Cut the PVC at least pipe 3" below the final grade. Reinstall the Speedy Sleeve and push down until it reaches the finished grade.



## Step 11: Fill in

Fill in hole around the Speedy Sleeve.



**YOUR ARCH STYLE SPEEDY SLEEVE POLY CURB BOX SYSTEM INSTALLATION IS NOW COMPLETE.**

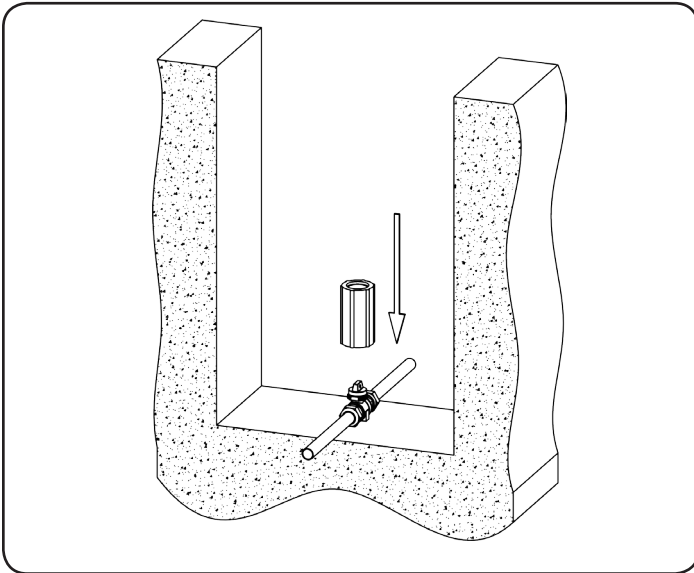
**Note:** For tracer wire attachment, see page 8. To access the the valve after the Argonics Speedy Sleeve has been installed, see the instructions on page 8.

# INSTALLATION

## MINNEAPOLIS STYLE:

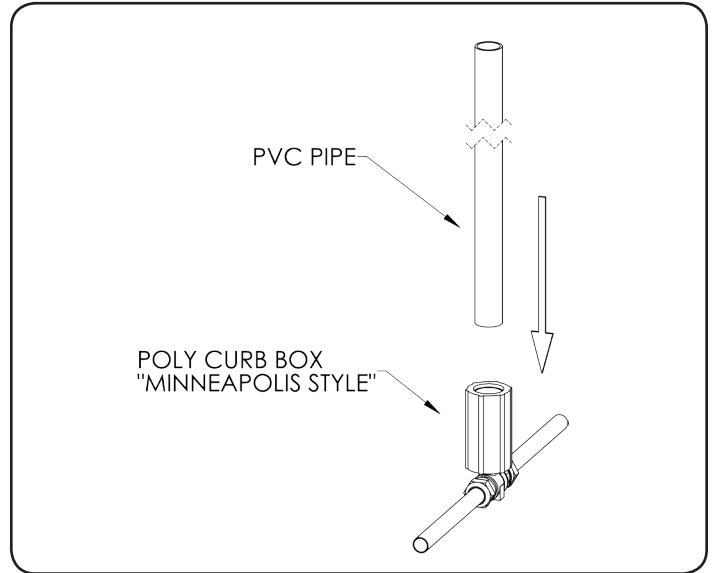
### Step 2: Install Poly Curb Box

Place the Minneapolis style Curb Box over the valve. Thread the Curb Box onto the valve. Use hand to tighten, if possible. Do not over tighten.



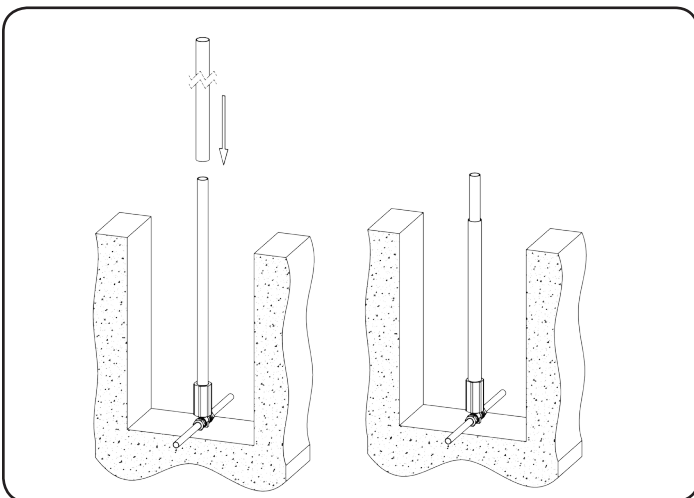
### Step 3: Gluing

Glue schedule 80 PVC pipe to poly Curb Box.



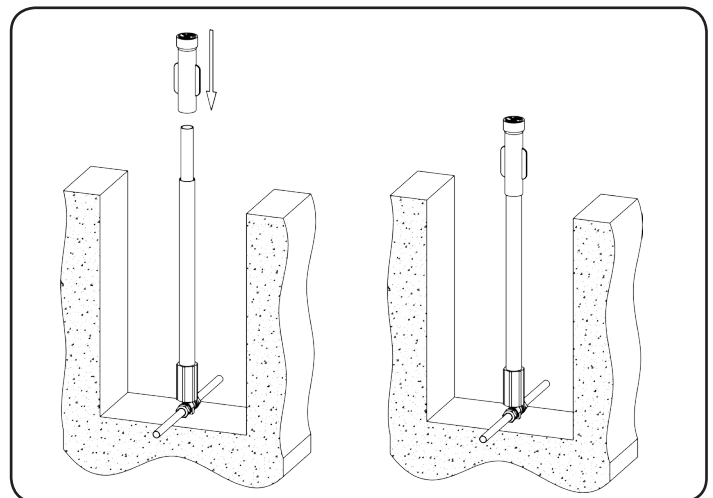
### Step 4: Plumb Extension Pipe (recommended)

If using a thin-wall PVC, we recommend placing a thin-wall steel pipe on the outside of the diameter of the PVC pipe. This will keep the pipe vertically level during backfilling. Make sure the steel pipe is at least 6" shorter than the PVC to allow for the Speedy Sleeve to be temporarily installed.



### Step 5: Temporarily install the Speedy Sleeve

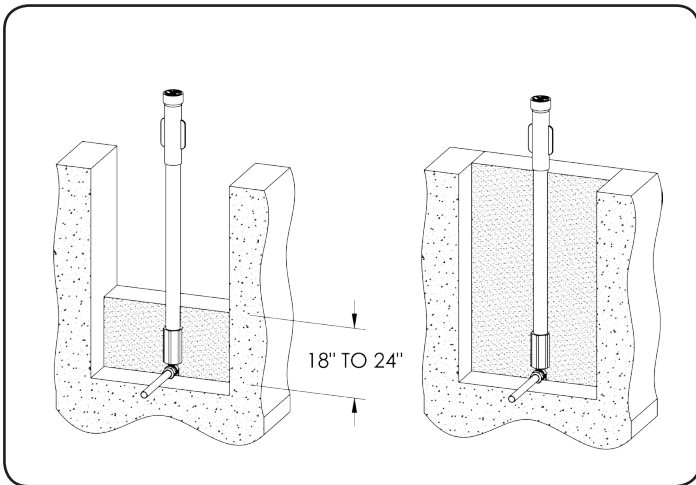
Place the Speedy Sleeve over the top of the PVC pipe. This will keep the pipe sealed during backfilling.



# INSTALLATION

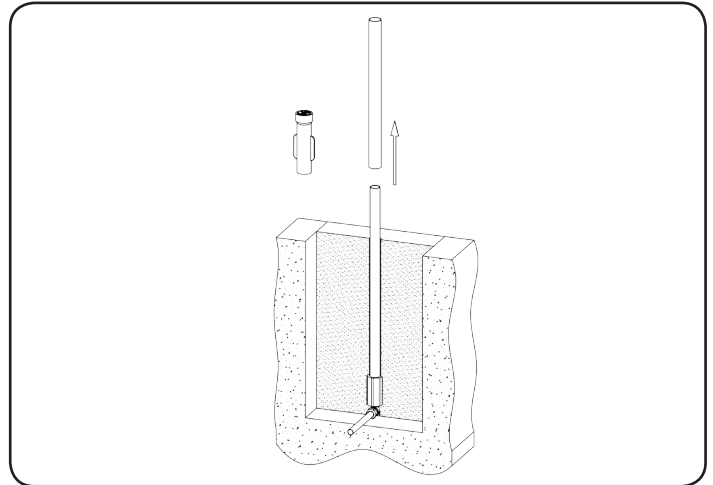
## Step 6: Backfill Around Valve Box

Backfill 18" - 24" by hand. Continue backfilling from directly above to keep the pipe plumbed.



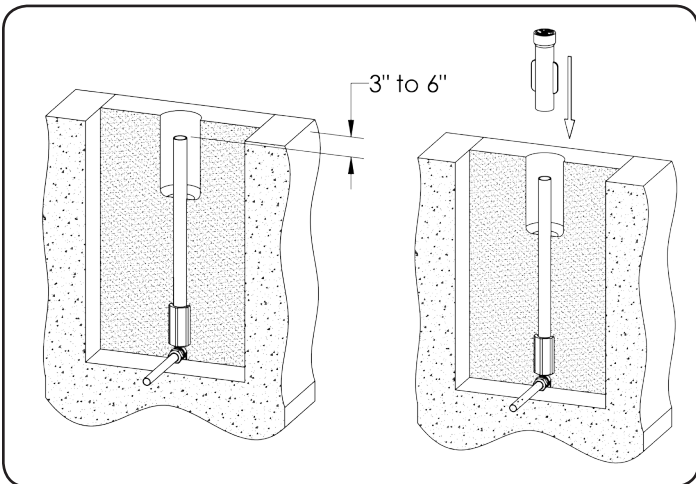
## Step 7: Remove Speedy Sleeve and steel pipe

Remove the Speedy Sleeve, and then slowly remove the steel pipe.



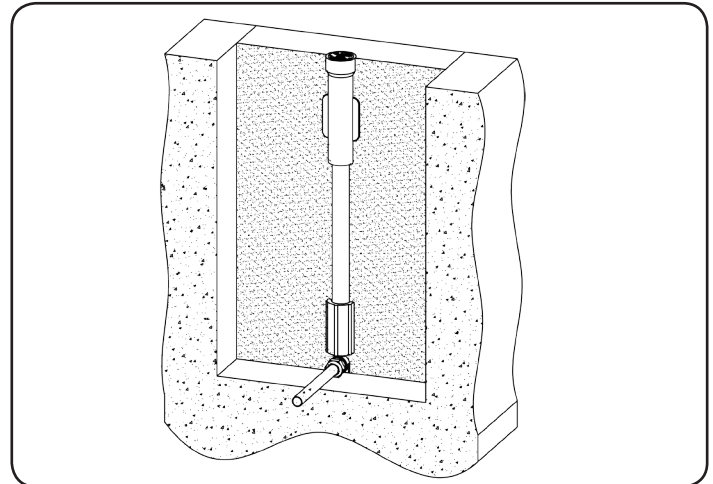
## Step 8: Finish Installation

Cut the PVC at least pipe 3" below the final grade. Reinstall the Speedy Sleeve and push down until it reaches the finished grade.



## Step 9: Fill in

Fill in hole around the Speedy Sleeve.



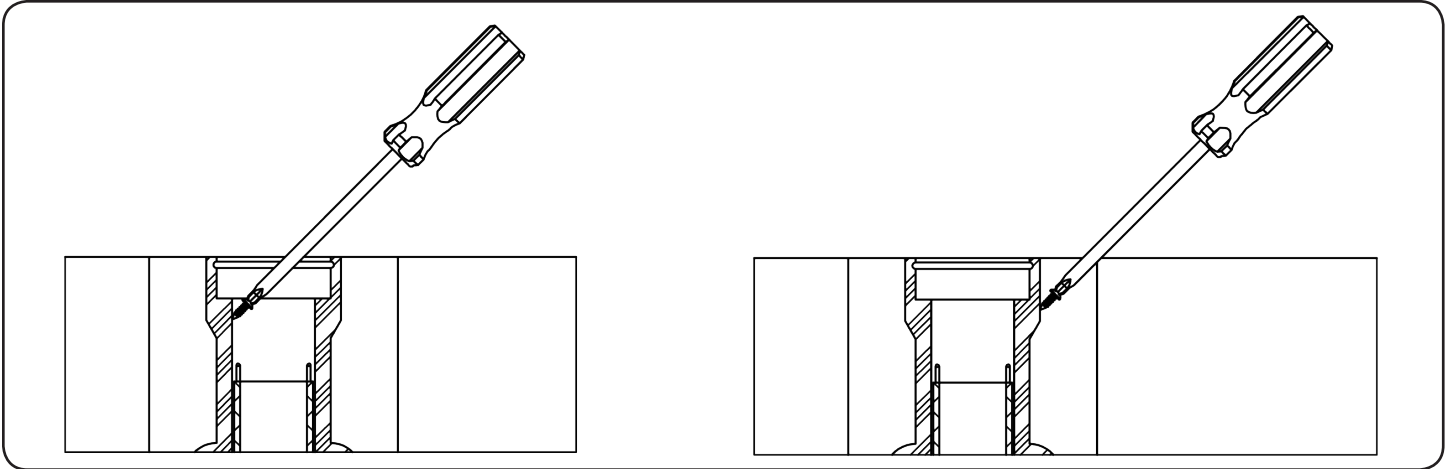
**YOUR MINNEAPOLIS STYLE SPEEDY SLEEVE POLY CURB BOX SYSTEM INSTALLATION IS NOW COMPLETE.**

**Note:** For tracer wire attachment, see page 8. To access the valve after the Argonics Speedy Sleeve has been installed, see the instructions on page 8.

# INSTALLATION

## Optional: Attaching Tracing Wire

Tracer wire can be attached with sheet metal screw on inside or outside of Speedy Sleeve at the top part of the base as shown. Make sure the screw does not interfere with the cap.



## ACCESSING THE VALVE WHEN AN ARGONICS SPEEDY SLEEVE HAS BEEN INSTALLED

### Step 1

Work a flat-head screwdriver down between the cap and the sleeve at one of the pry points indicated on the cap and pry the cap out.

### Step 2

To re-install the cap, first remove any dirt or debris from the pocket area on the sleeve. Push the cap on the sleeve and push it down by hand to snap the cap in place.

