

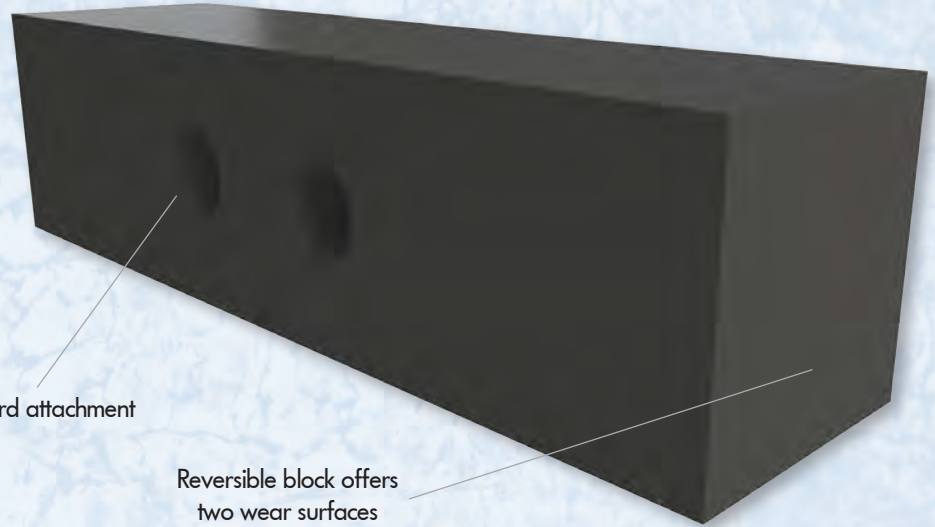
CURB SAVER SNOW PLOW

POLYURETHANE BLOCK

Our long-lasting polyurethane blocks retrofit your plow trucks' steel or tungsten curb runners. When tested in an area with high snowfall in the northern Upper Peninsula of Michigan, the curb saver blocks are lasting 1-2 seasons.



Standard attachment



Reversible block offers two wear surfaces

BENEFITS

- ❖ Eliminates chipping and breaking of concrete curbing
- ❖ Protects plow from damage and increased maintenance
- ❖ Less shock and vibration on the plow truck and operator
- ❖ Reversible block offers two wear surfaces
- ❖ Attachment is standard bolt pattern

"When we first installed these, I felt there was no way they would outlast the steel curb runners. During the worst winter we've had in a long time (2013-14) we went through 3-4 steel curb runners before we had to flip over our first urethane curb saver block. The plow also seemed to run smoother and softer on the curbing with the curb saver block, and cushioned the blow on storm inlets. We are very happy and will begin switching over to Argonics curb saver blocks."

Mark O'Brien
City Garage, City of Delafield, WI

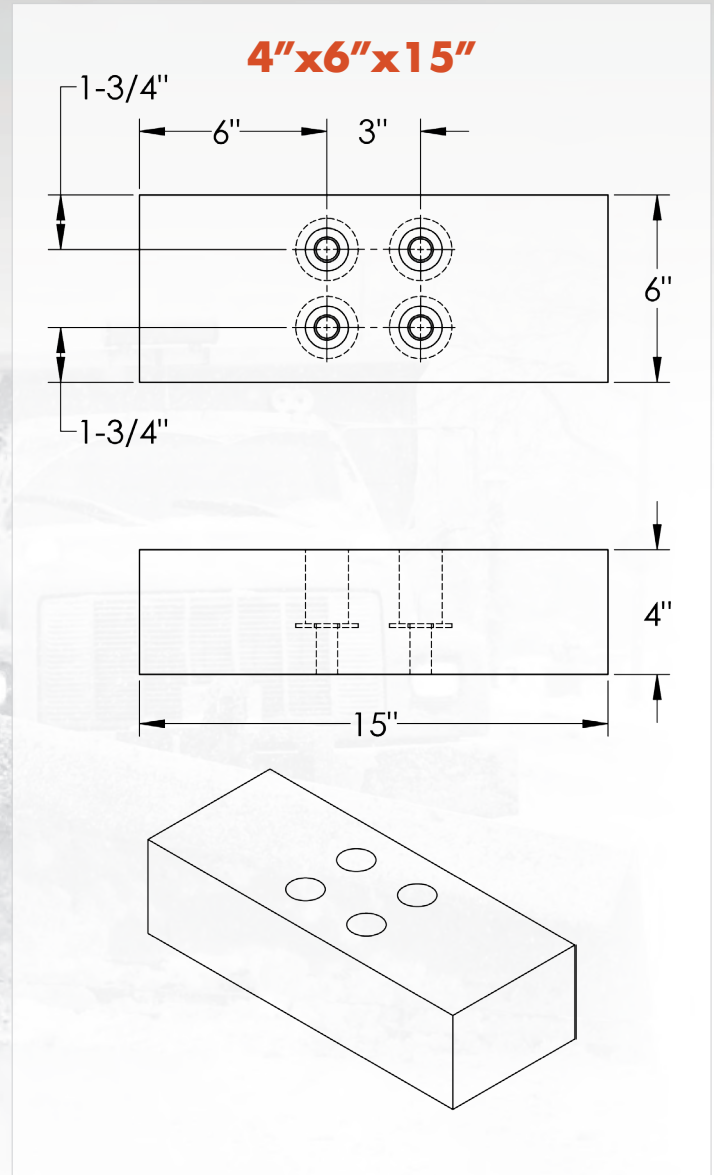
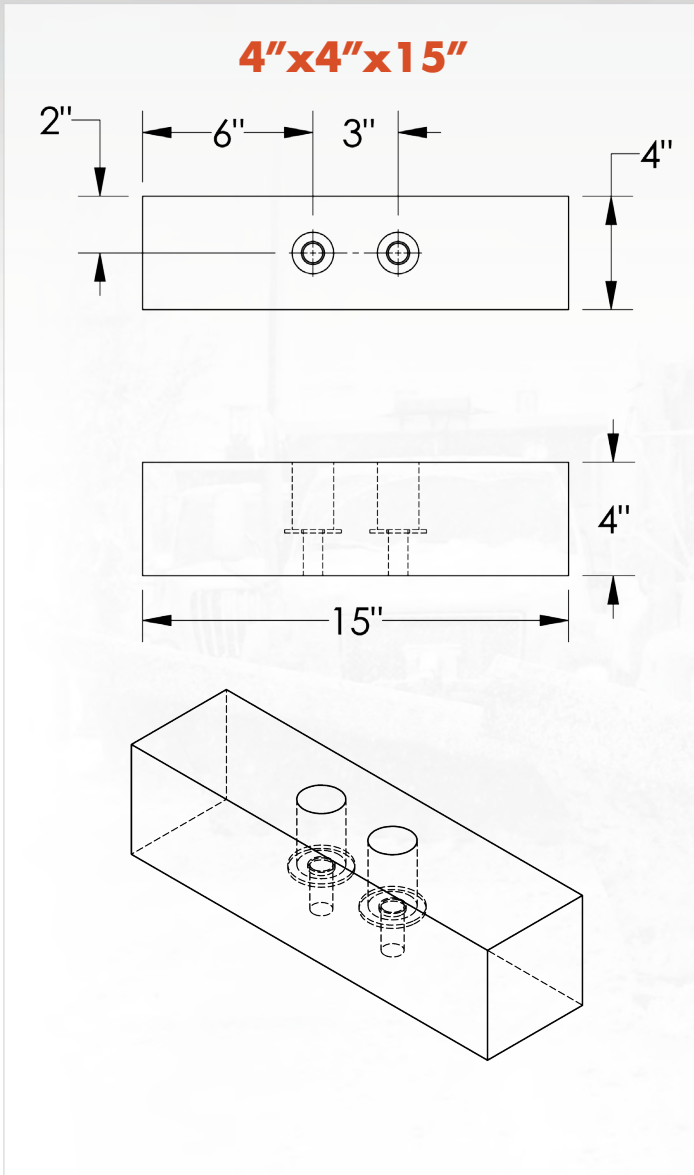
Maximum speed of 35/mph



All Argonics products are proudly made in the USA.



SPECIFICATIONS



Height	Width	Length	Part Number	Weight (lbs)
4"	4"	15"	MP-SP-CB4415-B93	10.06
4"	6"	15"	MP-SP-CB4615-B93	15.28



520 9th Street * Gwinn, MI 49841

906.226.9747 * 800.991.2746

fax: 906.226.9779 * information@argonics.com

WWW.ARGONICS.COM

