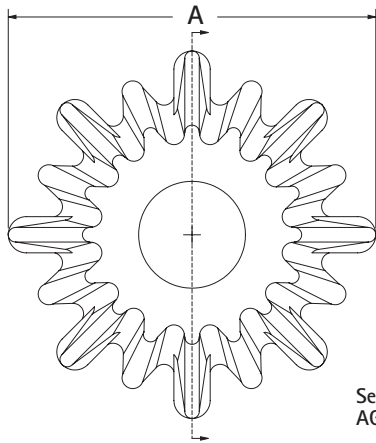
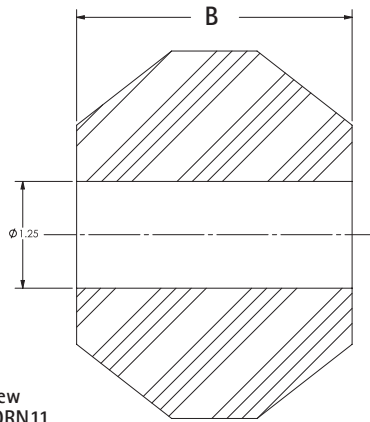


ACORN ROLLERS

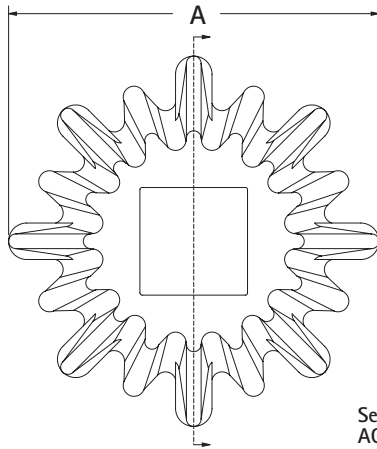
Kryptane Systems offers our high quality rubber acorn rollers in both a square and round bore. In addition, Kryptane offers our mud shedding urethane acorn in a square bore. With either rubber or urethane, you can count on Kryptane Systems acorns for outstanding performance in both your dirt elimination and sizing applications.



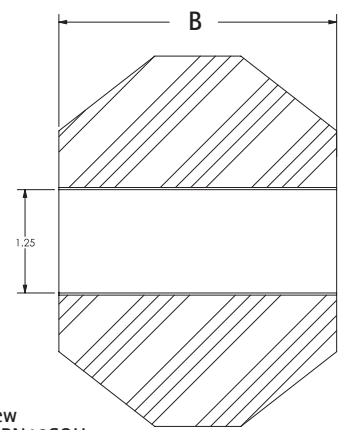
Section View
AG-RFACORN11



Square Shaft available in either rubber or urethane.



Section View
AG-RFACORN12SQU



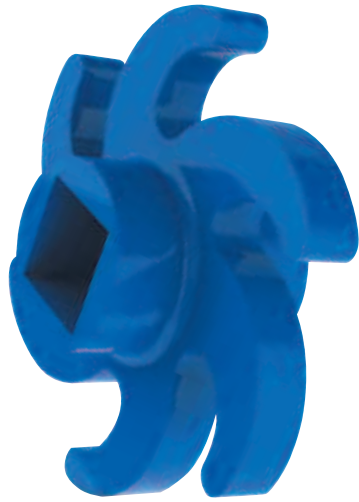
RUBBER ACORN ROLLERS

		A	B	C	
ROUND	PART NUMBER	DIAMETER	HUB WIDTH	SHAFT DIAMETER	SHAFT TYPE
	AG-RFACORN11	4"	3"	1-1/4"	ROUND

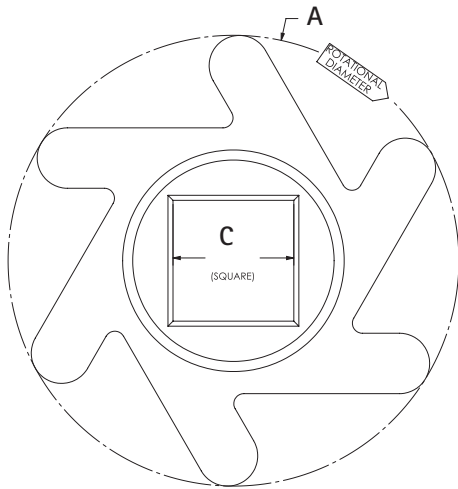
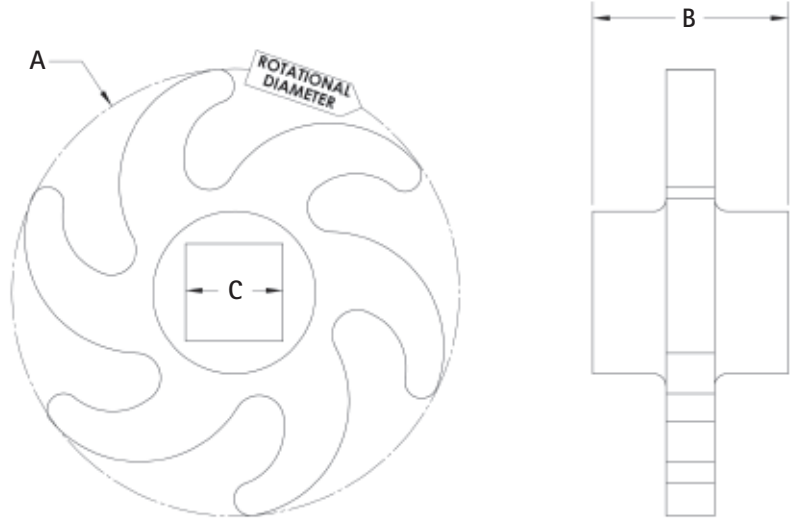
		A	B	C	
SQUARE	PART NUMBER	DIAMETER	HUB WIDTH	SHAFT DIAMETER	SHAFT TYPE
	AG-RFACORN12SQU	4"	3"	1-1/4"	SQUARE

POLYURETHANE ACORN ROLLER

		A	B	C	
SQUARE	PART NUMBER	DIAMETER	HUB WIDTH	SHAFT DIAMETER	SHAFT TYPE
	AG-RFACORN12SQU	4"	3"	1-1/4"	SQUARE



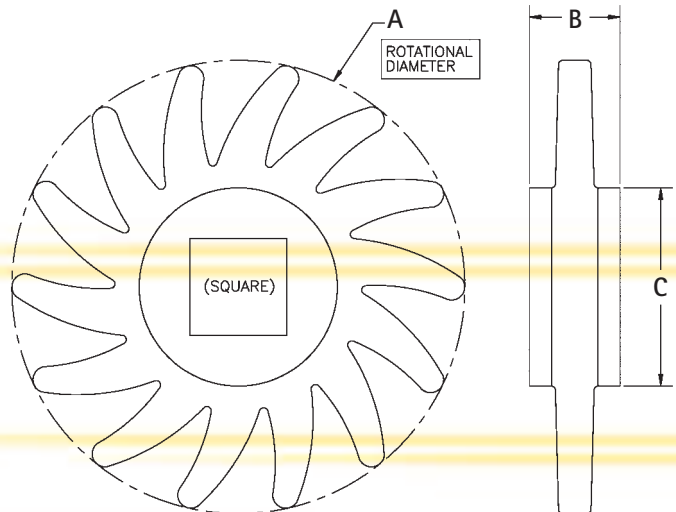
Urethane Six Finger Roller
AG-RF061253065U



Six Finger Roller
AG-RF0612553



Fourteen Finger Roller
AG-RF1412580



Today's faster, more advanced agricultural machinery demands the superior properties delivered by Kryptane Systems' urethane finger roller technology. Kryptane Systems' urethane finger rollers are developed hand-in-hand with harvesting equipment advances. Flexible urethane finger rollers minimize bruising, provide less sticking and build up, and deliver superior mud shedding properties. When you choose Kryptane rollers, you get the best in harvesting performance with the durability that you expect.

RUBBER FINGER ROLLERS

A B C

FIVE FINGER

PART NUMBER	FINGER DIA.	HUB WIDTH	SQ. SHAFT OPENING
AG-RF051252852	5"	2-3/4"	1-1/4"
AG-RF051252865	6-1/2"	2-3/4"	1-1/4"

SIX FINGER

PART NUMBER	FINGER DIA.	HUB WIDTH	SQ. SHAFT OPENING
AG-RF0612553	5-1/2"	3"	1-1/4"
AG-RF0615053	5-1/2"	3"	1-1/2"
AG-RF063512553	5-1/2"	3-1/2"	1-1/4"



POLYURETHANE FINGER ROLLERS

A B C

SIX FINGER

PART NUMBER	DESCRIPTION	FINGER DIA.	HUB WIDTH	SQ. SHAFT OPENING	FINGERS
AG-RF061253065U	FINGER ROLLER SWEPT	6.50"	3.00"	1.25"	6
AG-RF061503065U	FINGER ROLLER SWEPT	6.50"	3.00"	1.50"	6
AG-RF0612553U	FINGER ROLLER STRAIGHT	5.30"	3.00"	1.25"	6
AG-RF0615053U	FINGER ROLLER STRAIGHT	5.30"	3.00"	1.50"	6
AG-RF062712553U	FINGER ROLLER STRAIGHT	5.30"	2.75"	1.25"	6

A B C

FOURTEEN FINGER

PART NUMBER	DESCRIPTION	FINGER DIA.	HUB WIDTH	SQ. SHAFT OPENING	FINGERS
AG-RF1412580	FINGER ROLLER SWEPT	6.50"	1.38"	1.25"	14
AG-RF1415080	FINGER ROLLER SWEPT	6.50"	1.38"	1.50"	14