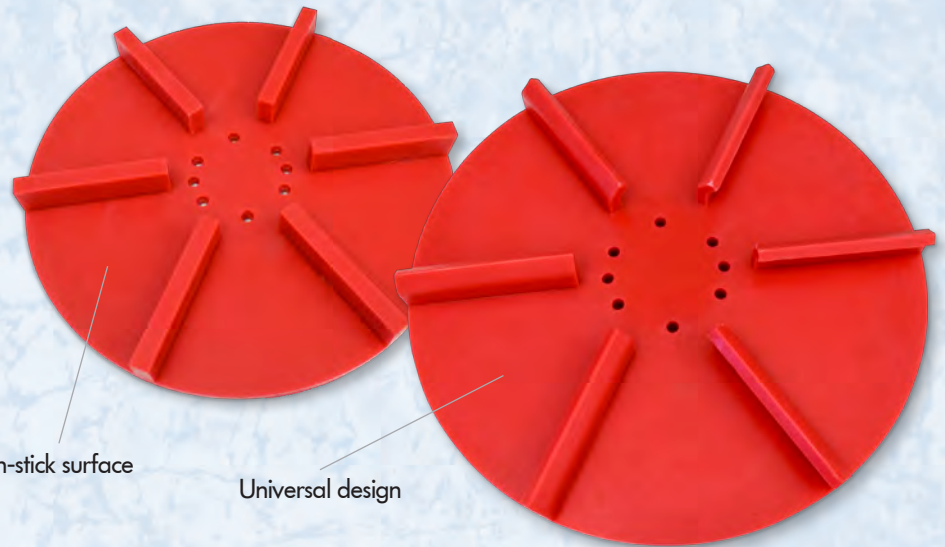


SALT & SAND SPINNER

SNOW REMOVAL POLYURETHANE PRODUCTS

Our corrosion-resistant polyurethane salt and sand spinners have a higher abrasion resistance than steel. Because of their light-weight, low-maintenance design, they require less horsepower to turn.



Non-stick surface

Universal design

BENEFITS

- ✱ Resistant to the corrosive action of salt and sand
- ✱ Flexible - spinners do not bend or break when hit
- ✱ Universal design fits most truck equipment on the market
- ✱ Two designs available with straight or curved fins
- ✱ Steel inserts available on select sizes

“The City of Marquette is extremely satisfied with Argonics products. We worked with Argonics to develop a long-lasting, economical spinner for our six (6) front line plow sanders. Since we switched to Argonics’ new design spinner we have only replaced one in the past 10 years. Before that, we had to replace metal spinners every year. This is a significant cost savings to the City of Marquette not only in product, but in labor cost. The Argonics sand spinner is sturdy, serviceable and unobtrusive when installed, and surprisingly affordable. We’re glad they developed such a quality product.”

Lance Hopper, Fleet Maintenance Supervisor,
City of Marquette, MI



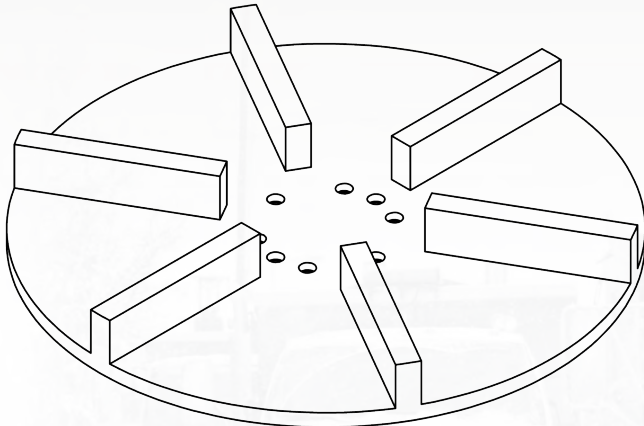
All Argonics products are
proudly made in the USA.



SPECIFICATIONS

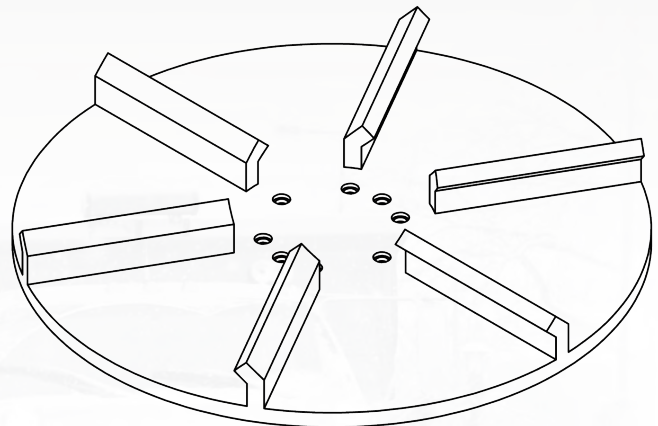
Standard Spinner

Available in 12", 18", 20" and 22" diameters.



Curved Fin Spinner

Available in 15" and 18" diameters.



STANDARD SPINNER (STRAIGHT FINS)

Diameter	Description	Part Number
12"	Spinner - Salt & Sand 12" Straight Fin	MP-SS-12A-R90
18"	Spinner - Salt & Sand 18" Straight Fin	MP-SS-18A-R90
20"	Spinner - Salt & Sand 20" Straight Fin	MP-SS-20A-R90
22"	Spinner - Salt & Sand 22" Straight Fin	MP-SS-22A-R90

STANDARD SPINNER (STRAIGHT FINS) WITH INSERT

Diameter	Description	Part Number
12"	Spinner - Salt & Sand 12" Straight Fin w/insert	MP-SS-12-R90
18"	Spinner - Salt & Sand 18" Straight Fin w/insert	MP-SS-18-R90
20"	Spinner - Salt & Sand 20" Straight Fin w/insert	MP-SS-20-R90

CURVED FIN SPINNER

Diameter	Description	Part Number
15"	Spinner - 15" w/curved fin	MP-SS-15B-R90
18"	Spinner - 18" w/curved fin	MP-SS-18B-R90

