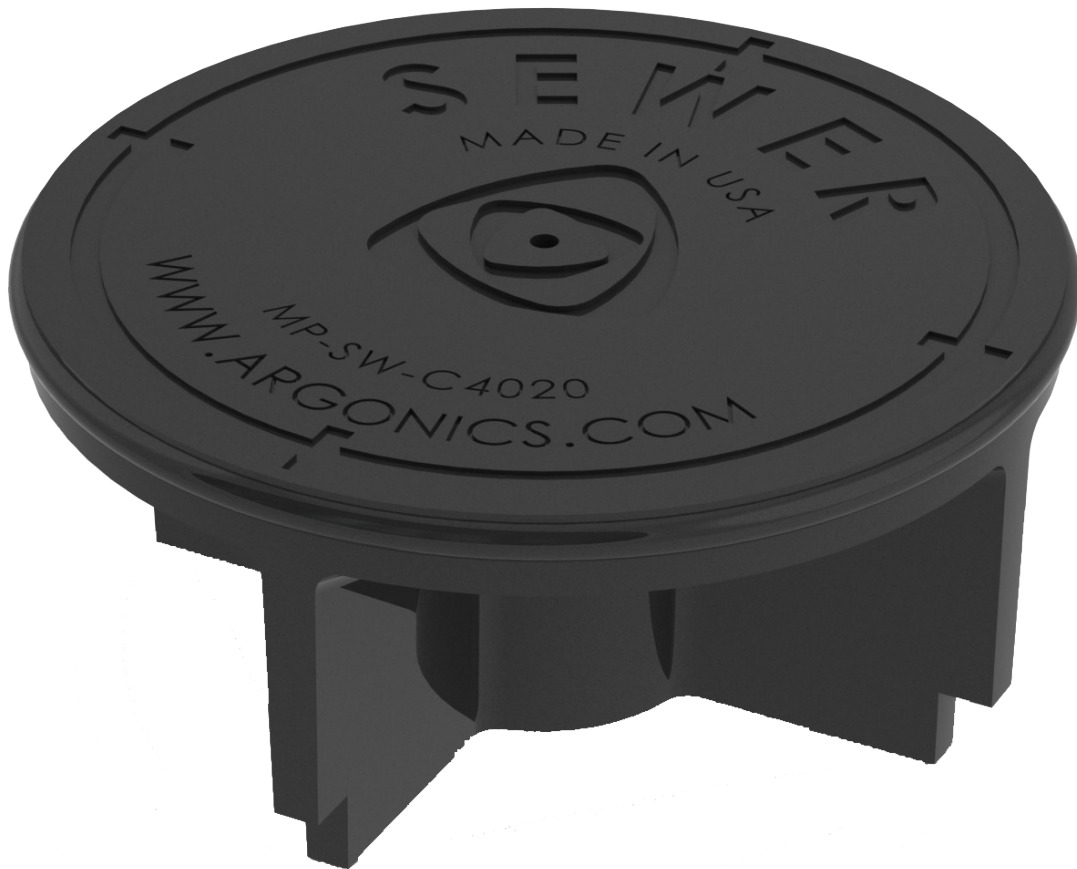


INSTALLATION GUIDE

SEWER SEAL™

Sewer Cleanout Access Cover



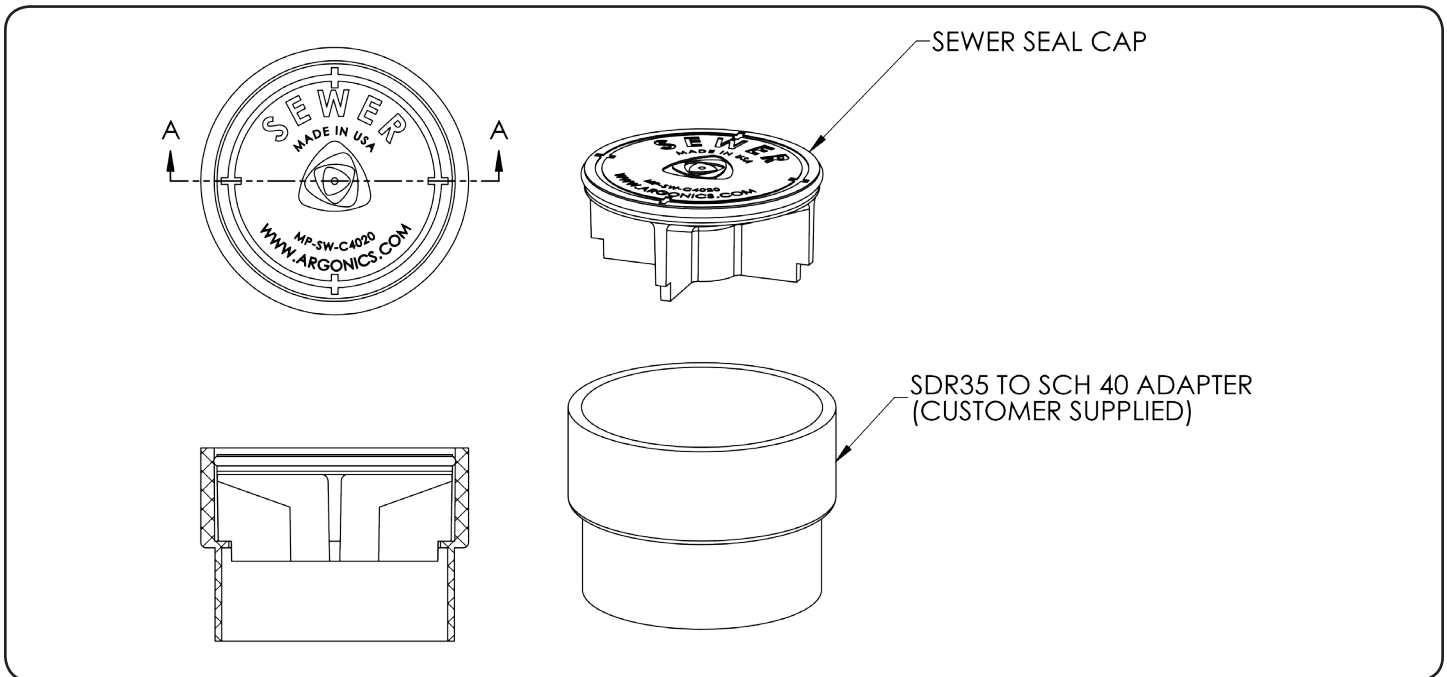
⚠️ WARNING

Always obey all applicable safety rules.

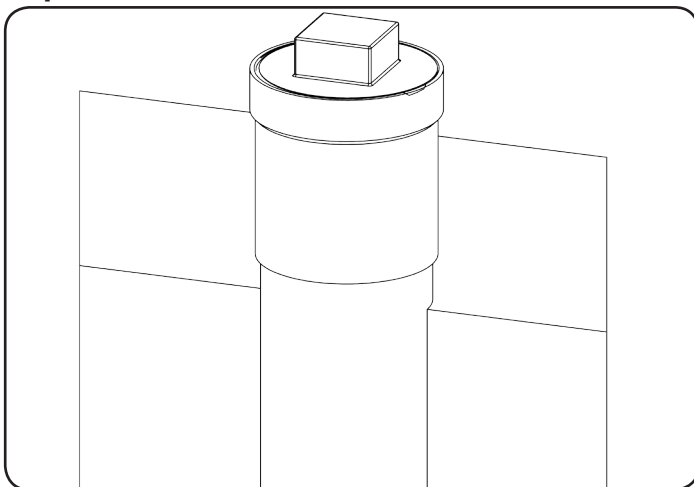
Installation Tools Required

- SDR 35 to Sch40 PVC DWV Adapter*
 - Saw for Cutting PVC
 - Screw Driver (Flathead)
 - Shovel
 - Rags (for cleaning)
 - PVC Primer
 - PVC Cement
- *Note: The Sewer Seal Cap is design to fit into the schedule 40 side of a SDR 35 to schedule 40 adapter. If the access pipe is schedule 40 instead of SDR 35, then a DWV coupler can be used instead.

ASSEMBLY BREAKDOWN

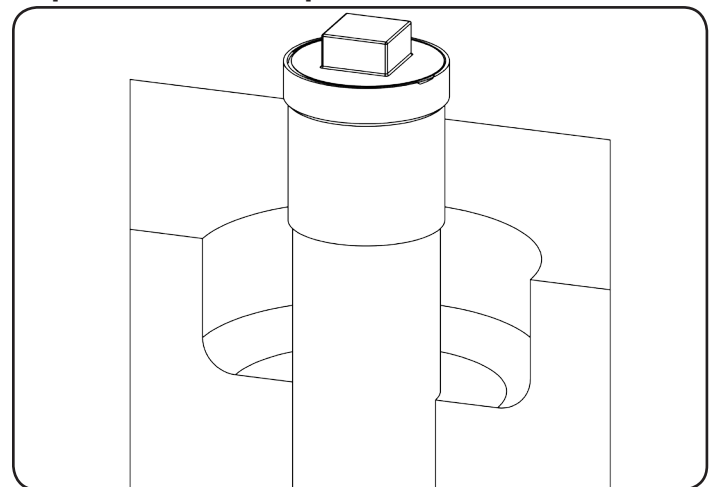


Step One: Locate the Sewer Cleanout Access



These instructions detail how to replace a standard threaded PVC access cover with the Argonics Sewer Seal.

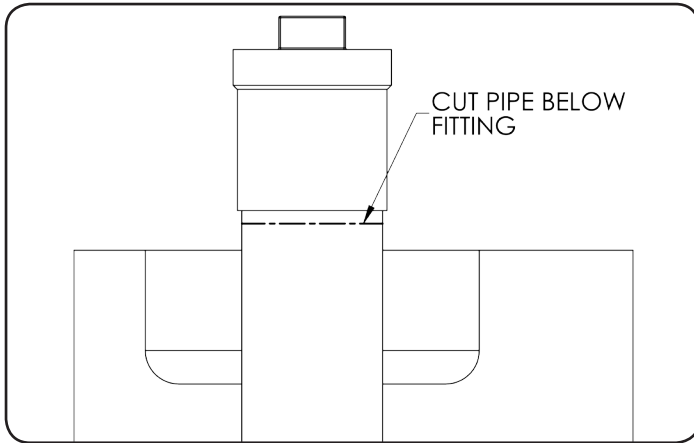
Step Two: Evacuate Pipe



Excavate the access pipe to expose at least 4" of pipe. The hole should be large enough to cut the pipe.

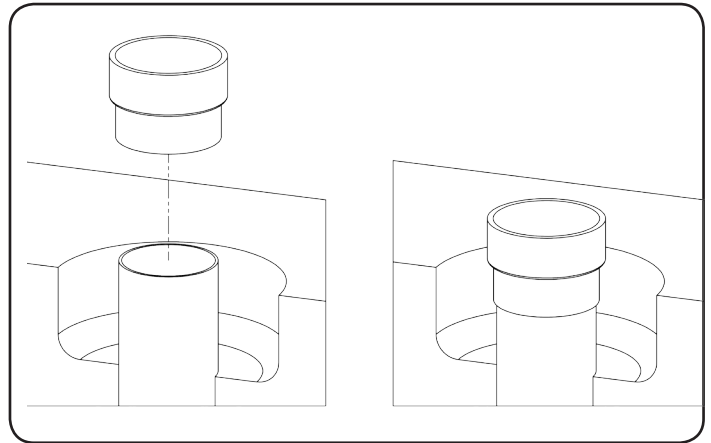
INSTALLATION

Step Three: Mark Cut Line



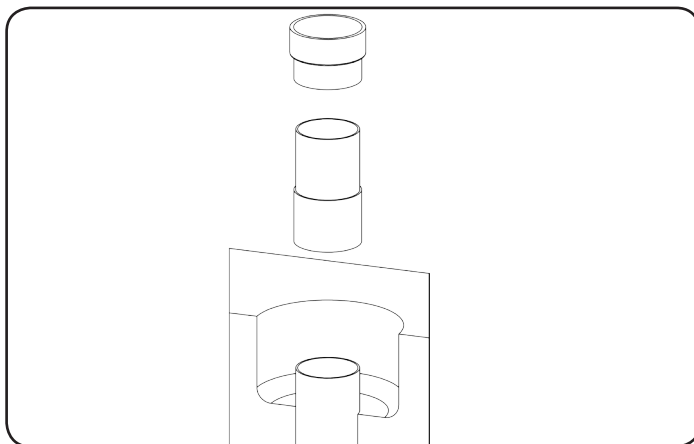
Mark the pipe just below the fitting. Cut the pipe and remove the existing fitting.

Step Four: Clean the Pipe



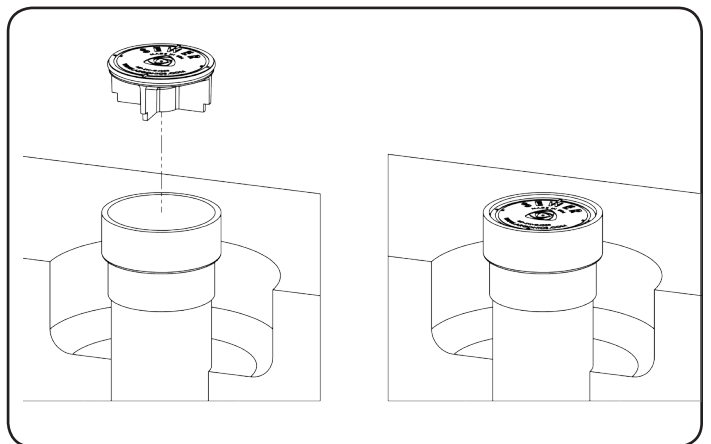
Clean the outside of the pipe with PVC Cleaner. Also clean the inside of the new adapter or coupler. Cement the new fitting to the pipe.

Step Five: Add Pipe Extension (if applicable)

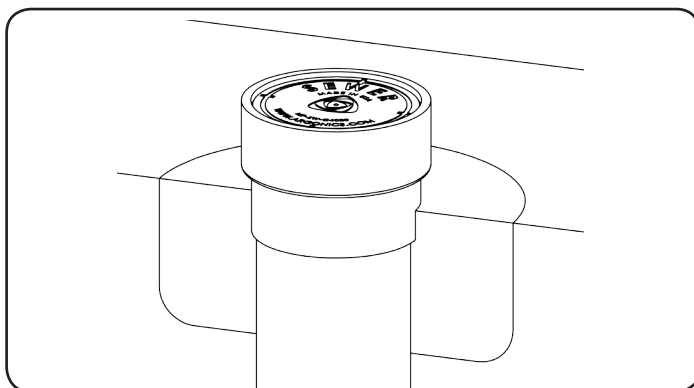


If the pipe is too short after removing the old fitting leaving the new cap below grade or below the desired height, an extension pipe will need to be added. Using a coupler and a short piece of pipe, raise the cleanout to the desired height. Then cement the fitting as described in step 4.

Step Six: Install Sewer Seal



Install the Sewer Seal Cap into the fitting and press down until the cap is fully seated into the fitting. When properly installed the cap will be slightly below the fitting.



Step Seven: Fill and Compact

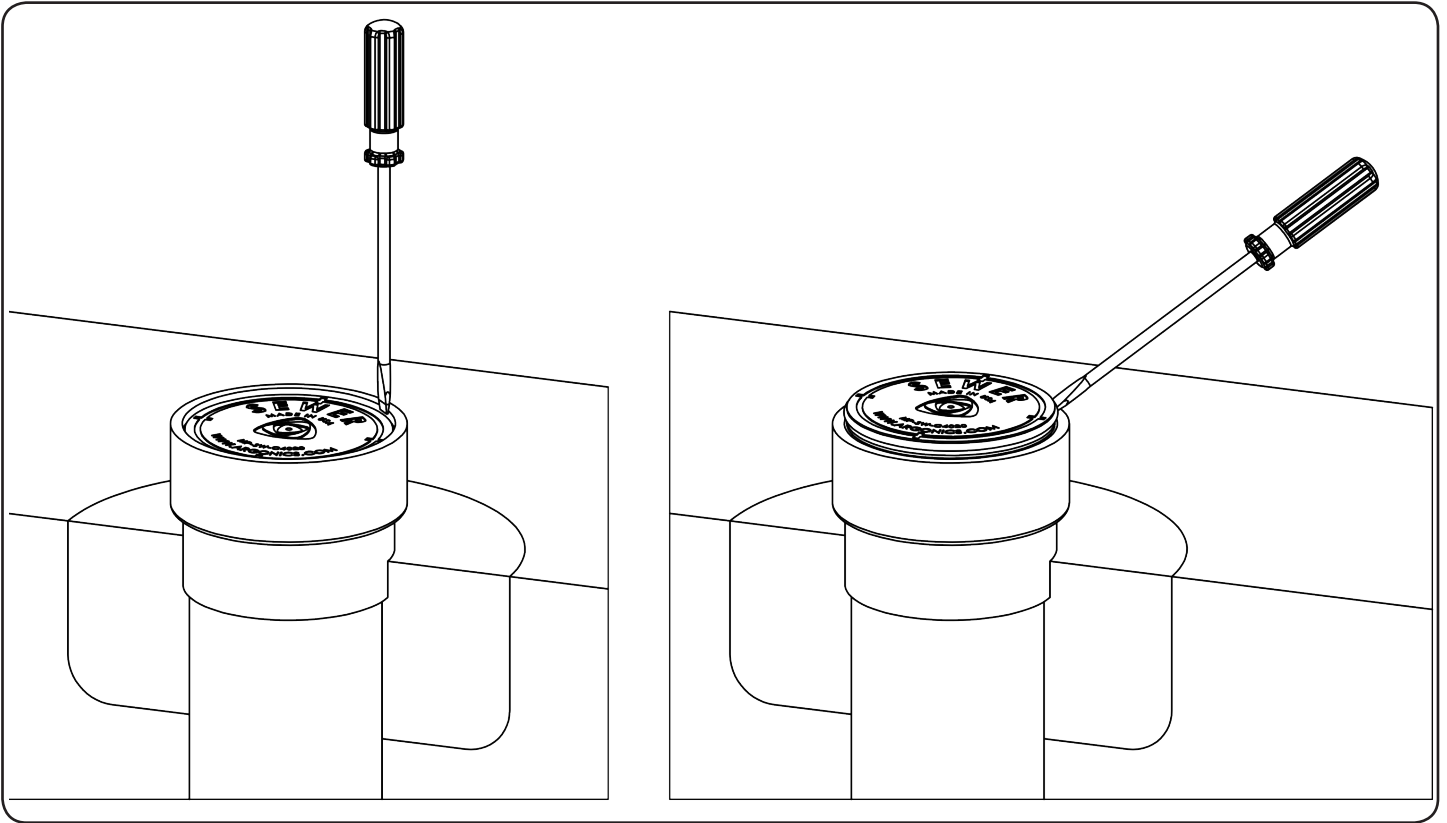
Fill in the hole around the pipe and compact.

YOUR SEWER SEAL INSTALLATION IS NOW COMPLETE

To access the pipe after the Sewer Seal has been installed, see the instructions on page 4.

INSTALLATION

Sewer Seal Removal/Access



To remove the cap insert a screwdriver between the PVC fitting and the cap. Push the screwdriver down past the seal on the cap, approximately $\frac{1}{2}$ ". Then gently pry the cap up. The cap will pop up and it can be removed by hand.