

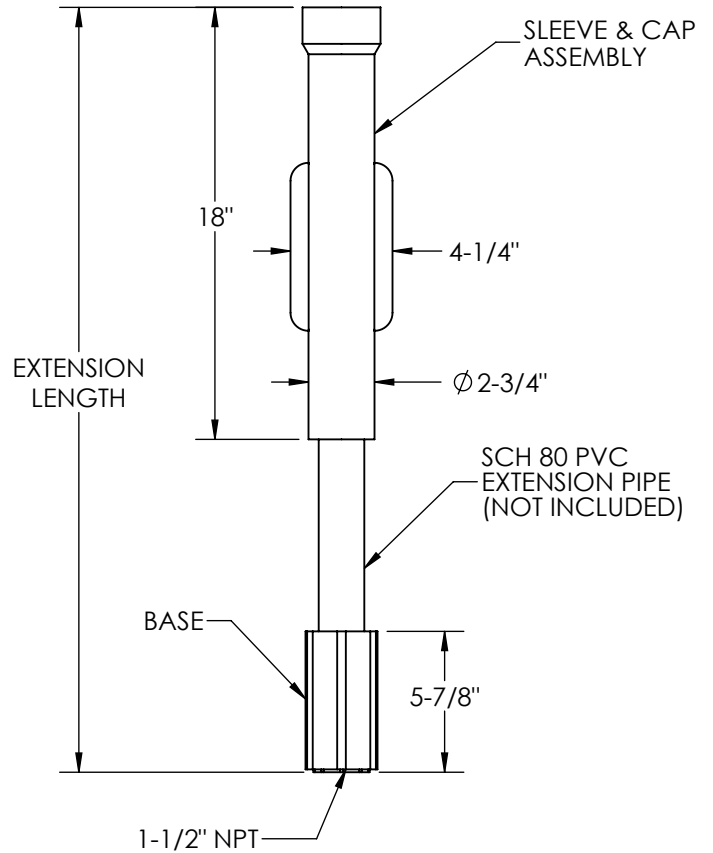
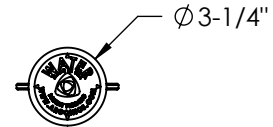
SUBMITTAL DATA SHEET

POLY CURB BOX

MINNEAPOLIS PATTERN, Ø1-1/2" EXT PIPE, 1-1/2" THREADED BASE



PART NUMBER	WT (LBS)
MP-PCB-SM31518W-B90	3.5



INFORMATION

- BASE IS DESIGNED TO BE USED WITH 3/4" & 1" MINNEAPOLIS PATTERN CURB STOPS
- BASE, SLEEVE, CAP, AND ROD SUPPORT MADE OF POLYURETHANE
- EXTENSION LENGTH IS FIELD ADJUSTABLE USING Ø1-1/2" SCHEDULE 80 PVC PIPE (NOT INCLUDED)
- CAP CONTAINS MAGNET FOR LOCATING

Argonics Inc. considers the information on this submittal sheet to be correct when published. Item and option availability, including specifications, are subject to change without notice.



ARGONICS INC.
520 9th St. Gwinn, MI 49841
906.226.9747
Fax: 906.226.9779
www.argonics.com

Submitted By: