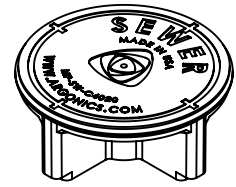


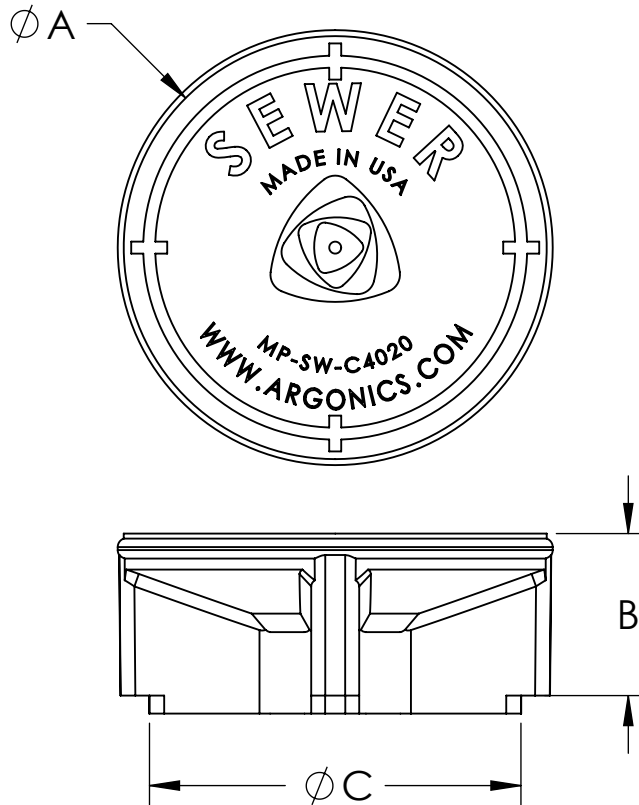
SUBMITTAL DATA SHEET

SEWER SEAL



SEWER CLEANOUT ACCESS COVER

PART NUMBER	DESCRIPTION	DIM A	DIM B	DIM C	WT (LBS)
MP-SW-C4020-B90	SEWER CLEANOUT ACCESS COVER - 4"	4-7/16"	1-5/8"	3-7/8"	0.54
MP-SW-C6030-B90	SEWER CLEANOUT ACCESS COVER - 6"	6-9/16"	2-13/16"	5-1/2"	1.60



INFORMATION

- THE COVER IS DESIGNED TO BE INSTALLED INTO A DWV (ASTM D2665) HUB FITTING
- THE COVER INCLUDES AN EMBEDDED MAGNET FOR LOCATING
- THE COVER MATERIAL IS POLYURETHANE
- THE COLOR IS BLACK

Argonics Inc. considers the information on this submittal sheet to be correct when published. Item and option availability, including specifications, are subject to change without notice.



ARGONICS INC.
 520 9th St. Gwinn, MI 49841
 906.226.9747 • 800.991.2746
 Fax: 906.226.9779
 www.argonics.com

Submitted By: