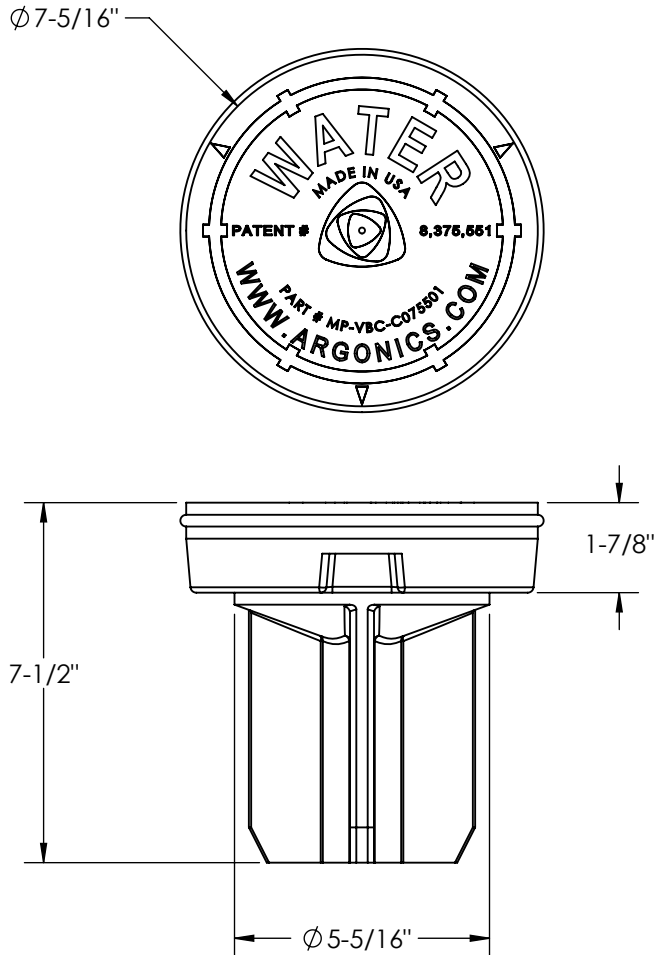
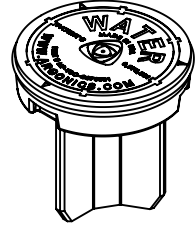


SUBMITTAL DATA SHEET

VALVE BOX COVER

VALVE BOX COVER - FOR $\text{Ø}5\text{-}5/16\text{'}$ ID VALVE BOX



INFORMATION

- COVER IS DESIGNED TO BE A REPLACEMENT FOR MOST VALVE BOXES WITH A $\text{Ø}5\text{-}5/16\text{'}$ ID
- THE COVER INCLUDES AN EMBEDDED MAGNET FOR LOCATING
- COVER MATERIAL IS POLYURETHANE
- THE COLOR IS BLACK
- WEIGHT IS 4.3 LBS

Argonics Inc. considers the information on this submittal sheet to be correct when published. Item and option availability, including specifications, are subject to change without notice.



ARGONICS INC.
520 9th St. Gwinn, MI 49841
906.226.9747 • 800.991.2746
Fax: 906.226.9779
www.argonics.com

Submitted By: