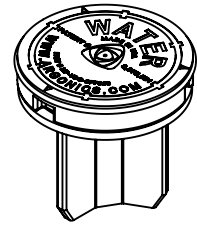


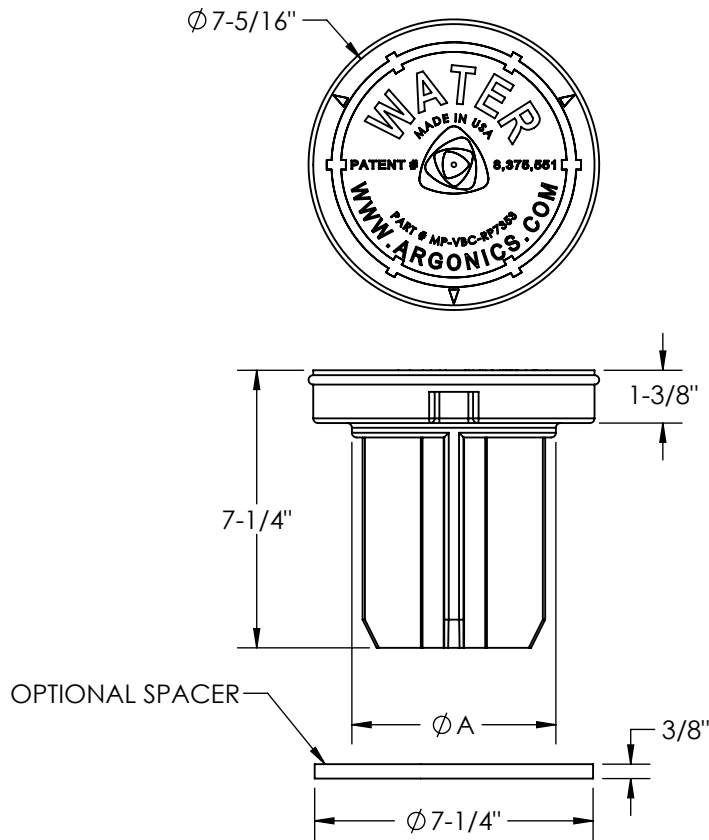
SUBMITTAL DATA SHEET

VALVE BOX COVER



VALVE BOX REPLACEMENT/ REPAIR COVER

PART NUMBER	DESCRIPTION	DIM A	WT (LBS)
MP-VBC-RP7348-B90	VALVE BOX COVER - 4-3/4"	4-3/4"	3.5
MP-VBC-RP7353-B90	VALVE BOX COVER - 5-5/16"	5-5/16"	3.5
MP-VBC-RP7360-B90	VALVE BOX COVER - 6"	6-1/8"	3.7
MP-VBC-G7338-B90	SPACER - VALVE BOX CAP - 3/8"	-	0.2



INFORMATION

- THE COVER IS DESIGNED TO BE A REPLACEMENT FOR DAMAGED VALVE BOXES
- THE OPTIONAL SPACER IS AVAILABLE FOR USE WITH UNDAMAGED BOXES
- THE COVER INCLUDES AN EMBEDDED MAGNET FOR LOCATING
- THE COVER AND SPACER MATERIAL IS POLYURETHANE
- THE COLOR IS BLACK

Argonics Inc. considers the information on this submittal sheet to be correct when published. Item and option availability, including specifications, are subject to change without notice.



ARGONICS INC.
 520 9th St. Gwinn, MI 49841
 906.226.9747 • 800.991.2746
 Fax: 906.226.9779
 www.argonics.com

Submitted By: